



Ford Ka, from model year 01.09.1996 Ford Fiesta, from model year 08.1995 to 09.2001, all with 1.3l Endura E engine

Increased idling speed when changing gear

If there are complaints about the above fault, the cause could be a defective throttle valve sensor connector. This fault causes implausible values to be sent to the control unit. In this case, the sensor, the connector and the cable loom (sensor cable) must be replaced. These spare parts are offered as a repair kit. Proceed as follows:

- Save the radio keycode and disconnect the battery.
- Remove the connector from the sensor (see Fig. 1)
- Remove the insulation from the cable loom (top of engine compartment, see Fig. 2). As the cable colours for the sensor can be found repeatedly in the cable loom (white cable 2x, brown-red cable 2x), the correct cables must be identified with the aid of a multimeter (continuity check, see Fig. 3).
 - Pin 1 yellow cable
 - Pin 2 white cable
 - Pin 3 brown-red cable
- Cut through the cables identified and strip the insulation from them.
- With the aid of CWT soldered connectors (Hella part number 8KW 744 888-003), connect the cable ends of the modified cable connector to the other cables (see Fig. 4).



- Remove the old sensor connector from the cables.
- These cables are no longer needed and must therefore be insulated and then pushed back into the cable sheath.
- Wrap insulating tape around the cable and lay it in the main wiring harness (see Fig. 5).
- Completely wrap insulating tape around the main wiring harness again.
- Connect the battery and re-enter the radio code.

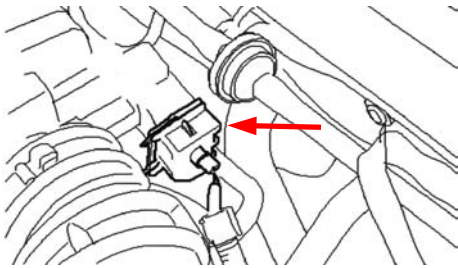


Fig. 1

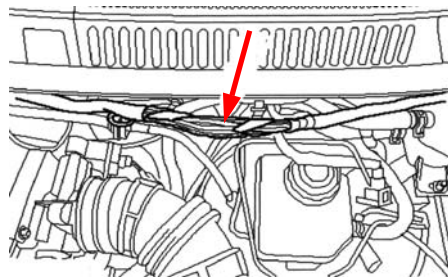


Fig. 2

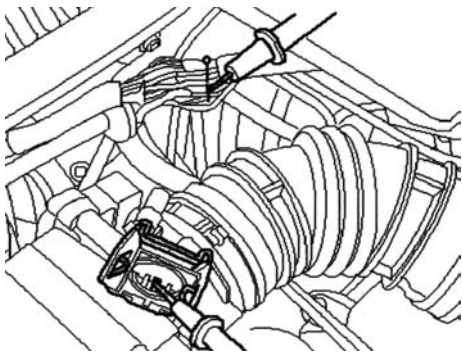


Fig. 3

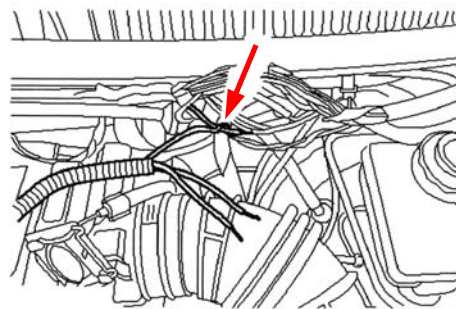


Fig. 4

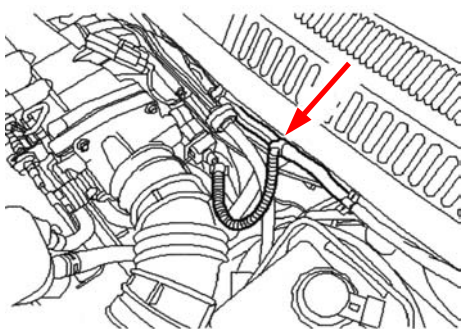


Fig. 5