

## **BMW**

***3 series (E90/91) model year: starting from July 2006***

***Z4 (E85) model year: starting from January 2006***

***X3 (E83) model year: starting from September 2006***

***All models with engine code N52 / N54***

**Engine control light is on**

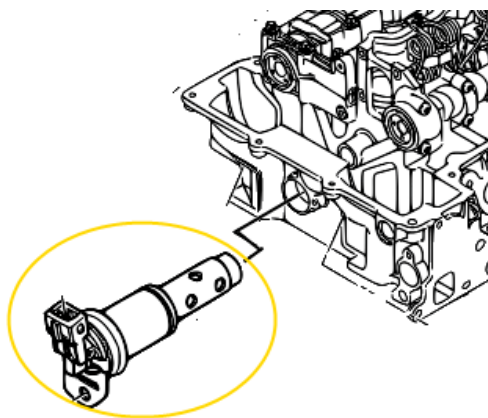
**Vehicle starts up poorly**

**Vehicle runs "out of true"**

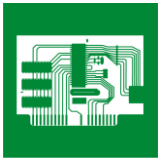
**Error code: Adjustable camshaft**

If one or more of the above-mentioned defects are reported for these vehicle models in conjunction with various error codes regarding the adjustable camshaft (VANOS), this may be due to a sticking or stiff magnetic valve of the VANOS system.

In this case, the magnetic valve must be checked and replaced if necessary.



**Bulletin**



*Bulletin*

