



Rover 45 model year 1999 to 2004

Engine backfires

If there are complaints about the above-mentioned fault, incorrect routing of the coil wiring harness could be the cause. Apart from backfiring, the fault could also become noticeable due to delayed throttle response. This situation occurs particularly when the accelerator pedal is pressed more strongly (setting off, overtaking etc.). In Fig. 1 the wiring harness is jammed beneath the engine cover as can happen if the cover has not been fitted professionally. In this case unscrew the cover and route the wiring harness in the retaining clip in such a way that it doesn't jut over the edge of the valve cover (see Fig. 2).

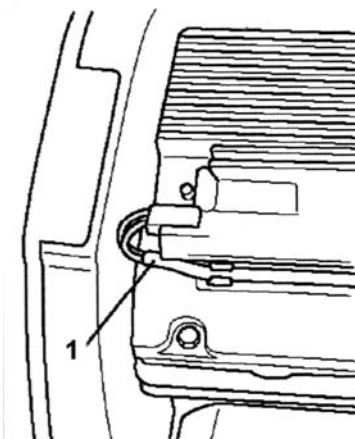


Fig. 1

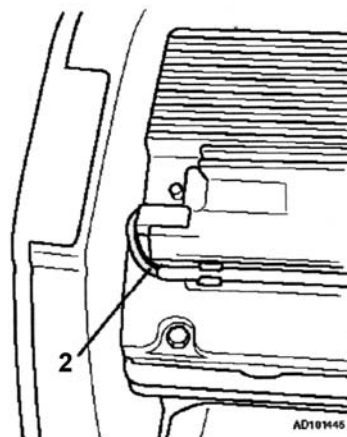


Fig. 2