



Renault Megane All vehicles with new cockpit

Faulty fuel gauge

If there are complaints about the above-mentioned fault, the cause could be a missing contact bridge. This manifests itself in that the fuel gauge stays at zero (new cockpit, see Fig. 1). In this case, a bridge must be made between pins A8 □ A9 on connection plug R 34 (see Fig. 2).



Fig. 1

This is located in the relay and fuse box (on the driver side, to the front of the engine bay). The exact connections can be seen in the circuit diagram (see Fig. 3). The contact bridge can be obtained via the manufacturer.

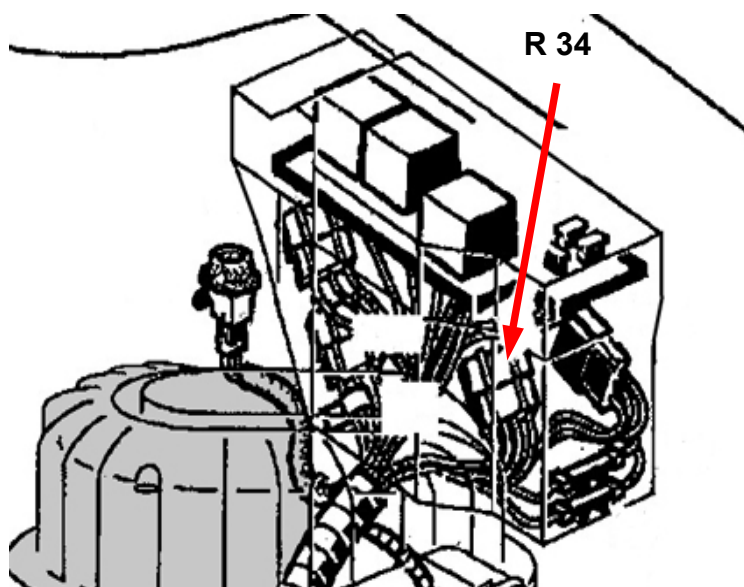


Fig. 2

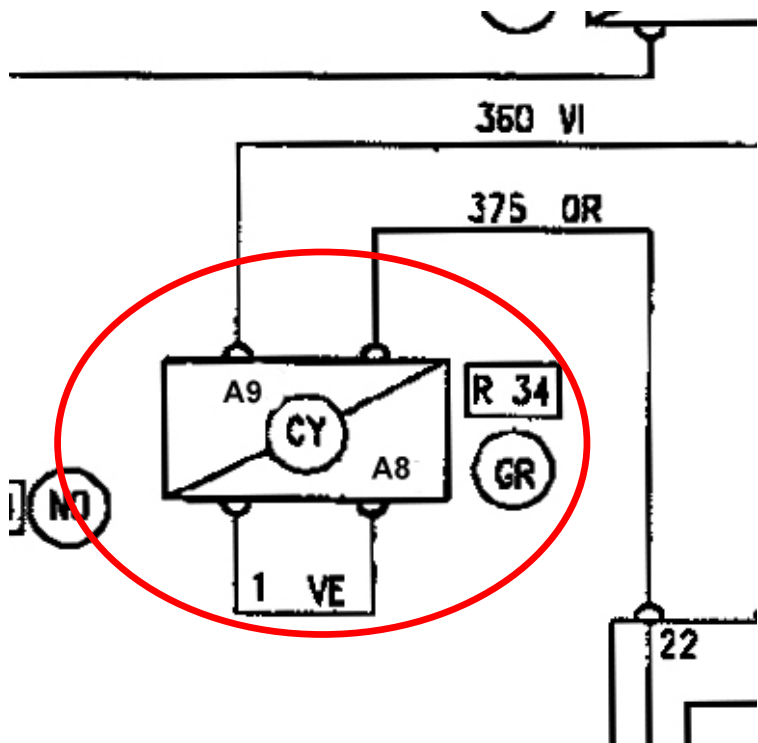


Fig. 3