



## **Peugeot 106** **Model year from 01.1997 to 12.1998**

### **Airbag light illuminates**

If there are complaints about the above-mentioned fault, the cause could be faulty plug-connections on the airbag/safety-belt cable loom. In this case, proceed as follows:

- The cable-loom plug-connections are located under the seat.
- Disconnect the plug-connection (orange) from the belt-tensioner cable loom (see Fig.1, Item 2).
- Disconnect the plug-connection from the side-airbag cable loom (see Fig. 1, Item 3).

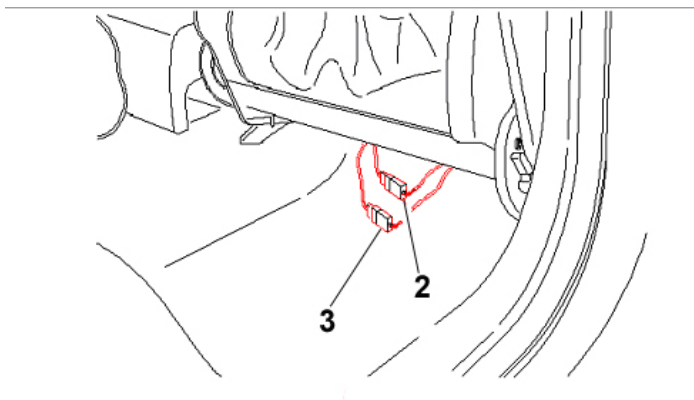


Fig. 1

- Cut the plugs off the cables.
- Strip approx. 15 mm of insulation from all cables.
- Pull contraction hoses over the cables (see Fig. 2, Item 4).
- Now connect the cables using special cable connectors (obtainable from the vehicle manufacturer).

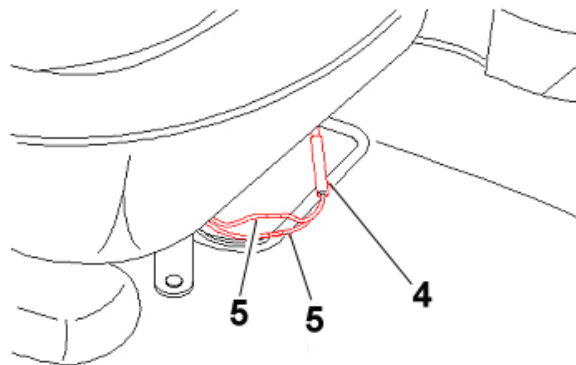


Fig. 2

- After this, push the contraction hoses over the connectors and shrink the contraction hoses using a hot-air hair-dryer.
- Use cable clips to fix both cable looms under the seat (see Fig. 3, Item 1).

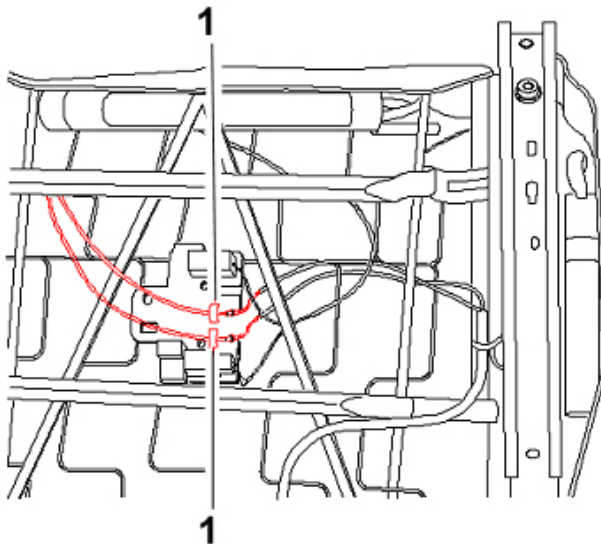


Fig. 3

Carry out these measures for both seats.  
After this, delete the fault memory.