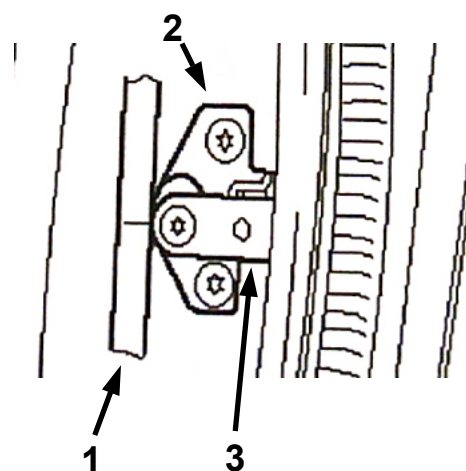




Ford Mondeo, built until 13.07.98 Focus, built until 10.99 Cougar, built until 11.98 Only vehicles with alarm system

The interior lights and entry lights are still lit after the door has been closed

If there are complaints about the above-mentioned fault, the cause could be a faulty electrical contact on the door contact switch. In addition, the car alarm system could become faulty or inactive. In this case the lock strikers with door contact switches have to be replaced.



Proceed as follows:

- Mark the position of the lock striker (2) on the B-pillar or on the C-pillar with the aid of adhesive tape (1) (see picture)
- When removing the lock striker make sure that the retaining plate is prevented from slipping
- Unscrew the screws and disconnect the plug
- Remove the lock striker with seal
- Place the seal on the new lock striker
- Align the lock striker to the markings (lock pin (3) must be horizontal) and tighten the screws by hand
- Close the door carefully and check the position of the door in the bodywork
- Tighten the screws to 31 Nm
- Repeat the steps for all of the doors if necessary

Bulletin