

Shear Strength | HELLA

Testing of Shear Strength

In many publications dealing with the ECE-R90 test, the wording shear strength appears.

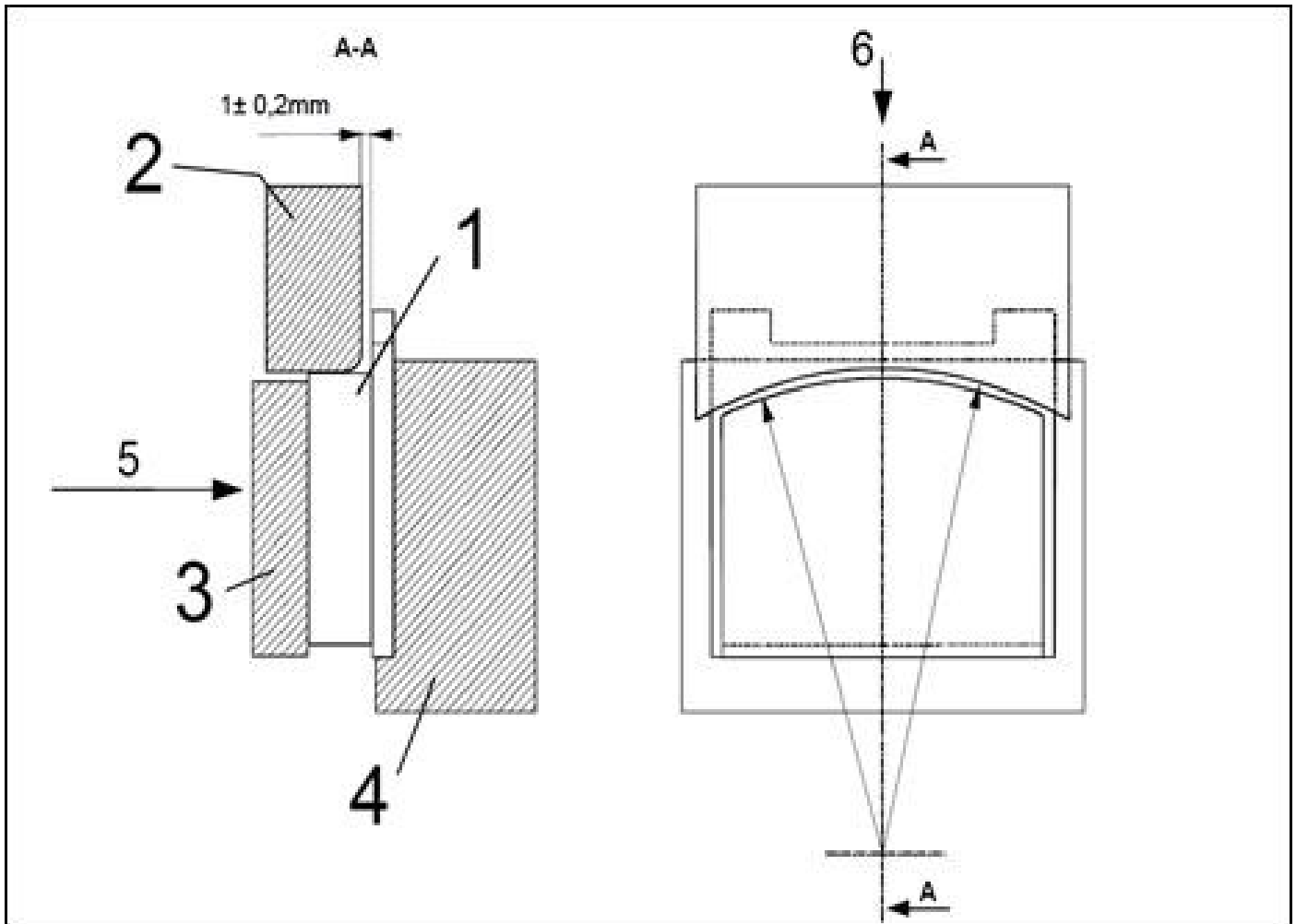
But what does this really mean?

The testing of shear strength checks the strength of the connection between the friction material and the pad's base plate. During the testing process, so much force is deliberately exerted so as to tear the friction lining mass away from the base plate.

The objective of this test is to guarantee that the friction material will not work loose from the pad's base plate throughout its entire service life. A sudden and complete failure of the brake could be the result if such loosening were to occur.

The following diagram illustrates the testing procedure:

1. Brake lining
2. Shear gauge
3. Counter bracket
4. Support apparatus
5. Contact pressing force
6. Shear force



The brake lining (1) is placed in a support apparatus (4) and held there with a counter bracket (3) under slight pressure.

The shear gauge (2) is driven against the friction mass and then the shear force is continuously increased until the friction mass is pulled away from the pad's base plate.

The shear strength is the quotient calculated out of the force measured during the wrenching away of the lining mass and the surface of the friction material.

The EU regulation, ECE R90, requires a minimum shear strength of 250 N/mm². This value is considerably exceeded by values found in all our products.

Important safety note

Technical information and practical tips have been compiled by HELLA in order to provide professional support to vehicle workshops in their day-to-day work. The information provided on this website is intended for use by suitably qualified personnel only.

Reprinting, distribution, reproduction, exploitation in any form or disclosure of the contents of this document, even in part, is prohibited without our express, written approval and indication of the source. The schematic illustrations, pictures and descriptions serve only for the purposes of explanation and representation of the instructions and cannot be used as a basis for installation or assembly work. All rights reserved.