

# Lancia Musa - Lighting up of the engine warning light | HELLA

**Lancia**

**Musa**

**All models:**

**Chassis number: 1039844 – 1047932**

**Engine code:**

**188A9.000**

**188B2.000**

## **Lighting up of the engine warning light.**

If complaints are made with these vehicles that the engine warning light (MIL) comes on and if the P0180 fault code is also stored in the fault code memory, a possible cause of the problem can be traced to bad contact on the fuel temperature sensor.

The P0180 fault code is the same as the malfunction in question: (Circuit, cable harness, fuel temperature sensor, engine control unit).

In addition, the fuel filter housing is to be visually checked for various points including the date of manufacture (Photo / label, see dotted arrow). If the date code is 2835, the fuel filter housing is to be replaced.

<u>Fuel filter housing:</u>

Spare part no.: 46849581

Engine code:188A9.000

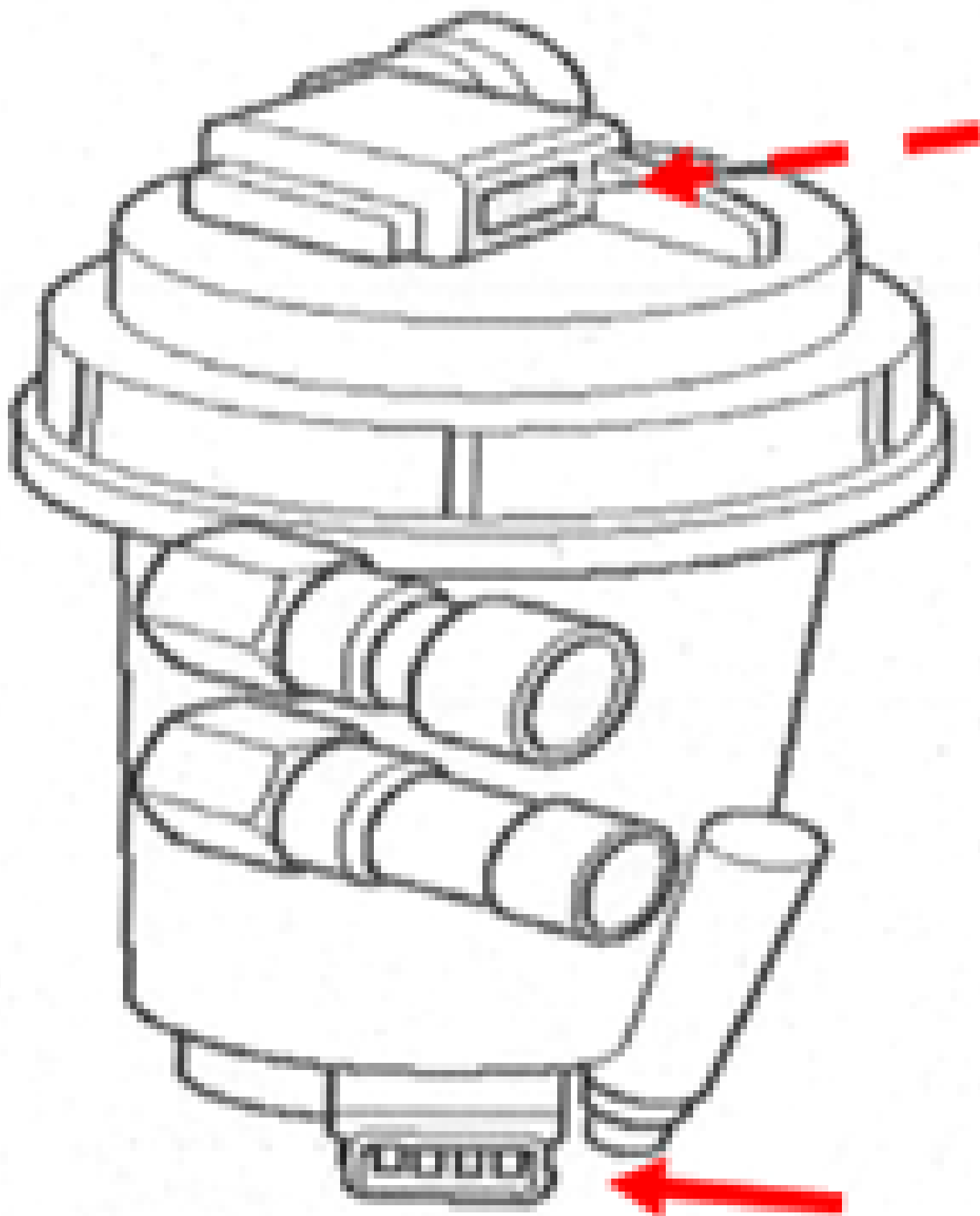
Spare part no.: 46849581

Engine code:188B2.000 up to model year → 03/06

Spare part no.: 51772541

Engine code:188B2.000 from model year 03/06 →

Please note: Checks are to be run to ensure that everything is properly plugged in (Position / see arrow).



## **Important safety note**

The following technical information and tips for practical use have been set up by HELLA in order to offer professional support to automotive workshops in their daily work. The information available here on this website is only to be used by appropriately trained specialist staff.

The reprinting, distribution, reproduction, exploitation in any form and disclosure of the contents of this document, even in part, is prohibited without our express written approval and indication of the source. The schematic illustrations, figures and descriptions are for explanation and presentation of the document text and cannot be used as a basis for installation or design. All rights reserved.