



# KIA Niro - error message in the instrument cluster

Data sheet	
Manufacturer	KIA
Vehicle model	Niro
Year of manufacture	08/2017 – 01/2018
Symptoms	Error message in the instrument cluster

## Important safety note

## KIA Niro - error message in the instrument cluster

With this repair issue, the customer complains about receiving a variety of error messages in the instrument cluster. The cause of the above-mentioned problem is a damaged electrical cable (rubbing against the steering column).

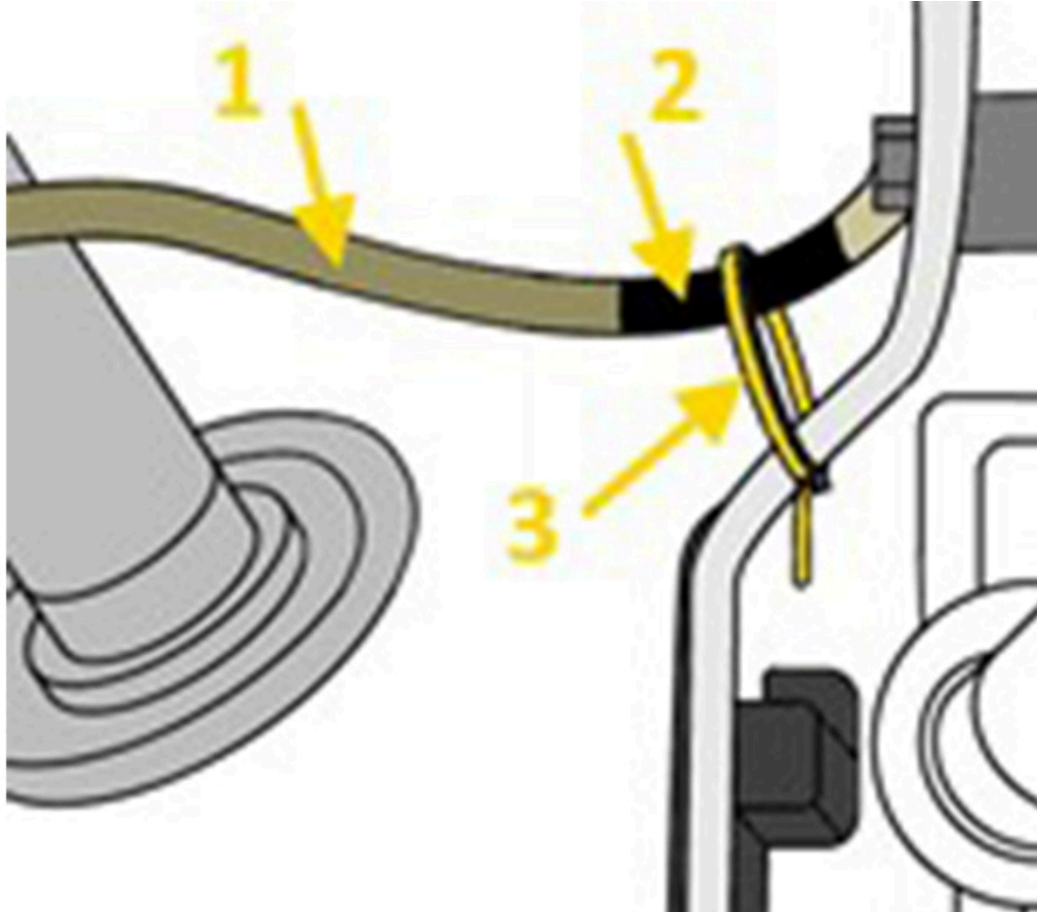
Remedy:

- Check the electrical cable for damage and repair or replace if necessary
- Wrap the electrical cable (Pos.1) with adhesive tape. (Pos.2)
- Install cable ties and fix the electrical cable in place. (Pos.3)

Please note that such repair work should only be carried out by an authorised specialist workshop and that the vehicle manufacturer's repair and maintenance instructions are to be observed!

**ⓘ Please note**

To be observed in the case of hybrid versions:



Reprinting, distribution, reproduction, exploitation in any form or disclosure of the contents of this document, even in part, is prohibited without our express, written approval; indication of the document source is also required. The schematic illustrations, pictures and descriptions serve only for the purposes of explanation and representation of the instructions and cannot be used as a basis for installation or assembly work. All rights reserved.