

Rota LED beacon | HELLA

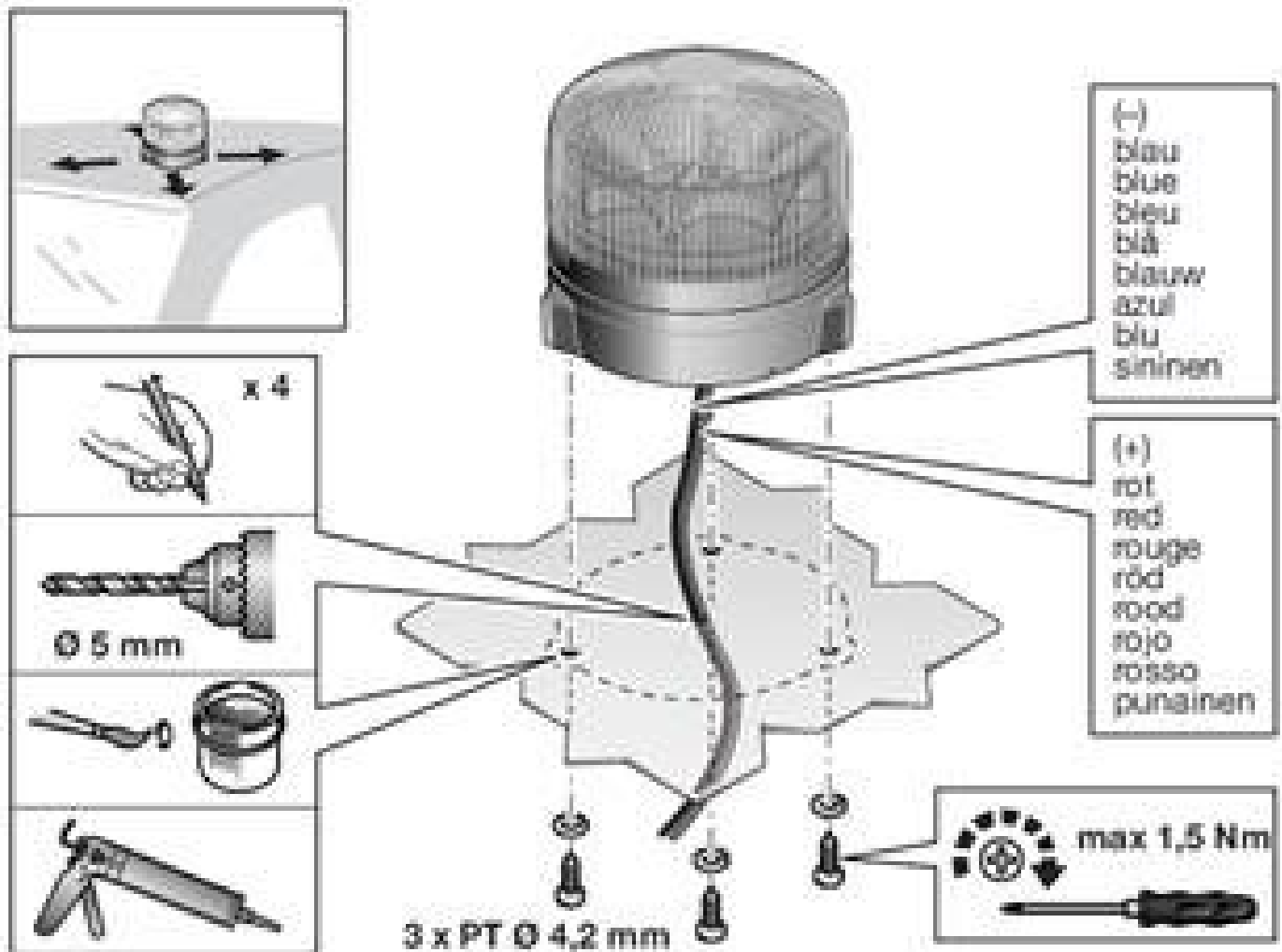
Product features



Long service life

The lamp has no moving parts, such as a rotating mirror, etc. As a result there is no wear, and the lamp has a maximum of reliability.

Installation information

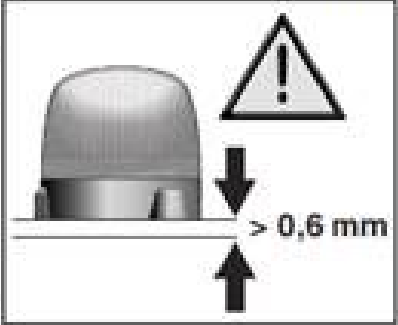
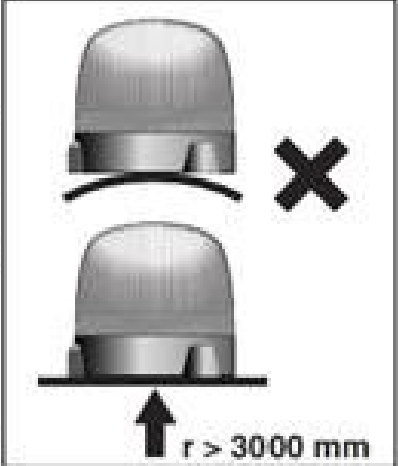
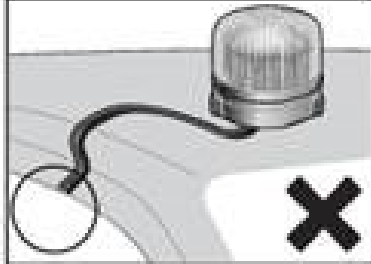
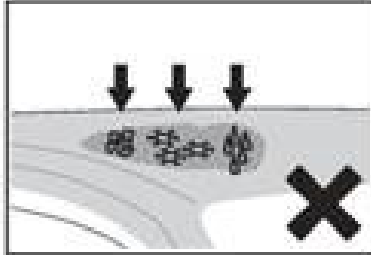


During installation of the fixed body variant make sure that the cables passage to the Interior is sealed. This can be done, for example, with a suitable rubber grommet or body sealant.

When using the magnetic variant, a few points should be observed, see Figure



max. 120 km/h



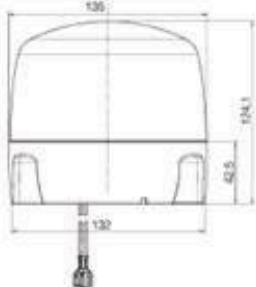

Technical notes

<i>Technical specifications</i>	
Type approval	Format: TA1 E1 003109
Nominal voltage	12V/24V
Operating voltage	9-36V
Total current draw	12 V: approx. 0.7 A 24 V: approx. 0.4 A
Interference suppression class	VDE 00879, interference suppression class 3
Power consumption	12 V: approx. 8W 24 V: approx. 10W
Dome	PC
Usage position	standing
Protection class	IP5KX, IPX4K, IPX9K
Temperature range	-40°C to +60°C
Reverse polarity protection	yes
Body	EPDM
Interference suppression class	e1 approval acc. to 72/245 EEC as amended by 2006/28 EC

Attention:

The beacon must be protected with a 5A fuse!

Product overview

			Rota LED F 2XD 010 979-001
			Rota LED FL 2XD 010 979-011
			Rota LED M 2XD 010 979-021

Important safety notice

The following technical information and tips for practical use have been set up by HELLA in order to offer professional support to automotive workshops in their daily work. The information available here on this website is only to be used by appropriately trained specialist staff.

The reprinting, distribution, reproduction, exploitation in any form and disclosure of the contents of this document, even in part, is prohibited without our express written approval and indication of the source. The schematic illustrations, figures and descriptions are for explanation and presentation of the document text and cannot be used as a basis for installation or design. All rights reserved.