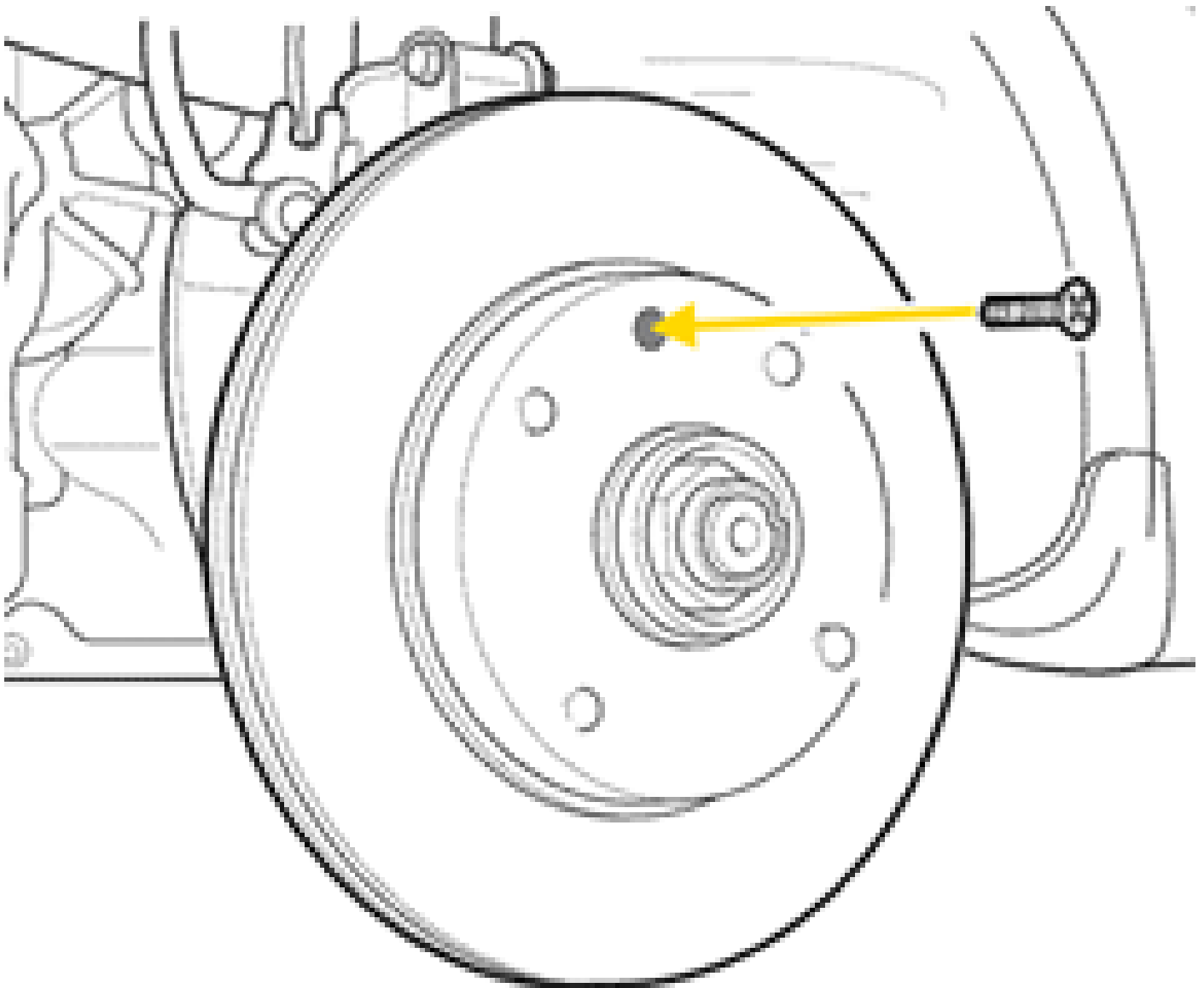


Brake disc locating screw | HELLA

Task

Some vehicle manufacturers use an additional centering screw for mounting the brake disc.

This screw serves primarily as a mounting aid in order to ensure that the brake disc is positioned correctly on the wheel hub. At the same time, it prevents the brake disc from coming loose from the mounting surface of the wheel hub when the wheel is being changed, and stops dirt and rust from getting behind the brake disc. Without it, such soiling could cause the brake disc to slant, resulting in premature wear on the brake pad and brake disc.



Assembly instructions

Damaged or missing screws must be replaced. In order to prevent mistakes during mounting, the tightening torque specified by the vehicle manufacturer in question must be observed.

Product information

The HELLA locating screws set enables you to mount brake discs easily. This saves you time and also makes it easier to replace damaged locating screws.

HELLA offers a complete set with all 12 locating screws commonly found on the market in a metal case. You can also order individual locating screws.

Article number: 8DZ 355 209-991



Important safety note

Technical information and practical tips have been compiled by HELLA in order to provide professional support to vehicle workshops in their day-to-day work. The information provided on this website is intended for use by suitably qualified personnel only.

Reprinting, distribution, reproduction, exploitation in any form or disclosure of the contents of this document, even in part, is prohibited without our express, written approval and indication of the source. The schematic illustrations, pictures and descriptions serve only for the purposes of explanation and representation of the instructions and cannot be used as a basis for installation or assembly work. All rights reserved.