



## Seat Ateca - Noise in the area of the front doors

Data sheet	
Manufacturer	Seat
Vehicle model	Ateca
Chassis no.	Up to 6570059
Year of construction	2016
Symptom	Rattling noise in the area of the front doors.

### Important safety note

## Seat Ateca noise in the area of the front doors with instructions and advice

With this repair job, the customer complains about a rattling noise in the area of the front doors.

Troubleshooting: Troubleshooting revealed that the noise does not occur when slight pressure is exerted on the door release lever.

In this case, the cause of the noise is that there is too much play in the holder for the connection between the barrel nipple (release cable, see picture with arrow) and the fixation of the door release lever.

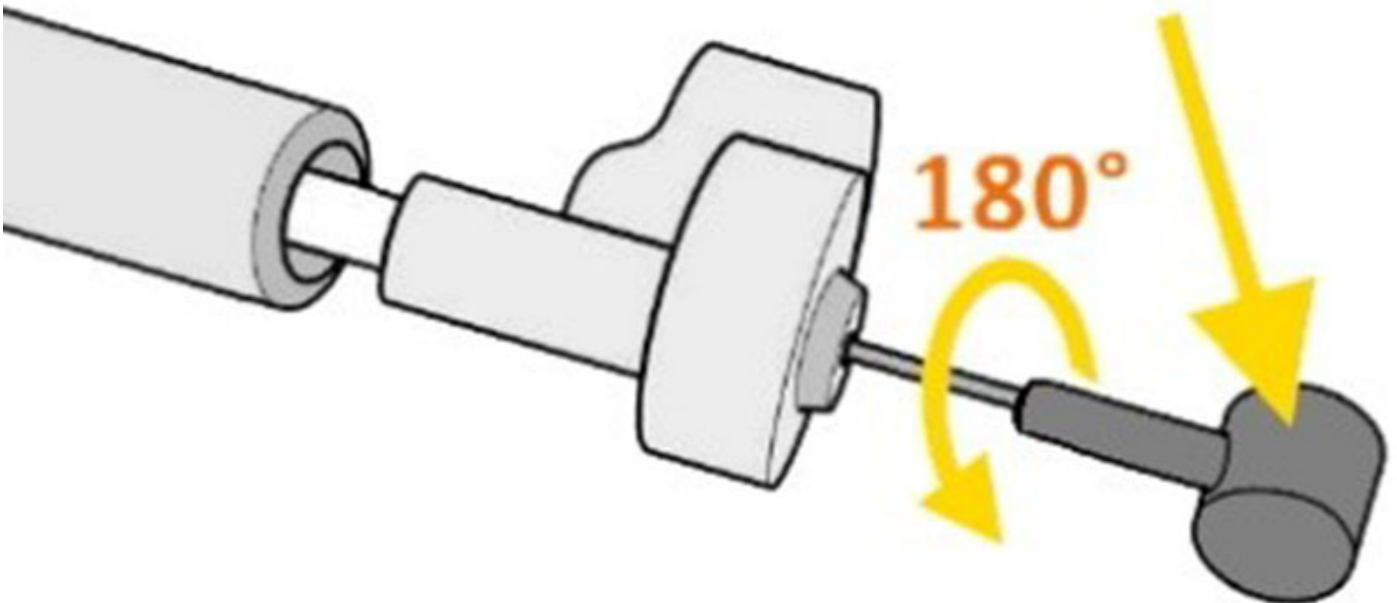
Remedy:

- Dismantle the interior panelling of the front door in accordance with the vehicle manufacturer's instructions.
- Remove the release cable and turn the inner cable on the barrel nipple 180° anti-clockwise (see picture).
- Refit the release cable and the front door's interior panelling in reverse order.

Finally, a test drive should be performed to check the repair work.

### Repair notes

Please note that such work should only be carried out by an authorised specialist workshop and that the vehicle manufacturer's repair and maintenance instructions must be observed!



Turn the inner cable on the barrel nipple 180° anti-clockwise

Reprinting, distribution, reproduction, exploitation in any form or disclosure of the contents of this document, even in part, is prohibited without our express, written approval; indication of the document source is also required. The schematic illustrations, pictures and descriptions serve only for the purposes of explanation and representation of the instructions and cannot be used as a basis for installation or assembly work. All rights reserved.