



# Opel Astra K - power steering failure

Data sheet

Manufacturer

Opel

Vehicle model

Astra K

Engine

1.4 16V Turbo (B14XFT)

Year of manufacture

2019

Symptoms

Power steering failure

## Important safety note

## Power steering failure

The following problem is observed in the vehicles mentioned above: Vehicle steering sluggish.

The reason for this is an insufficient plug connection between the steering angle sensor and the wiring harness (see figure).

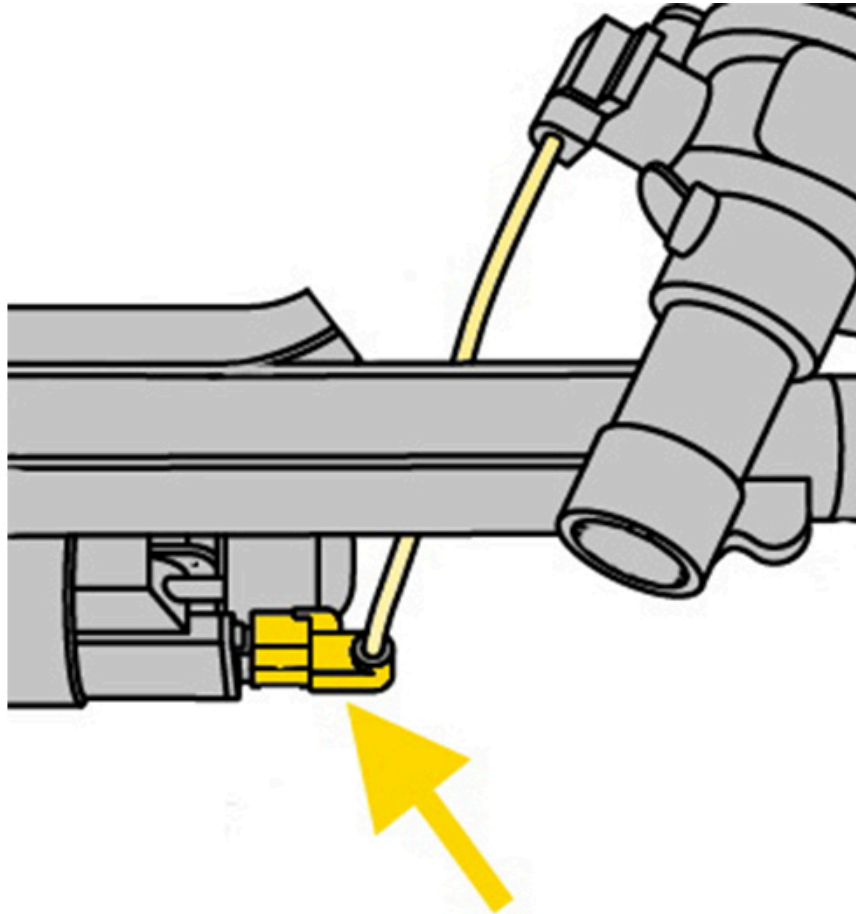
Please proceed as follows to rectify the problem:

First disconnect the plug connection and check for dirt and damage; if necessary, clean and repair it according to the manufacturer's instructions. Then reconnect the connectors, making sure that the plug connection is correctly seated.

Subsequently run a fault code query and go for a test drive to check the measure.

**i IMPORTANT**

Always observe the vehicle manufacturer's repair specifications!



Reprinting, distribution, reproduction, exploitation in any form or disclosure of the contents of this document, even in part, is prohibited without our express, written approval; indication of the document source is also required. The schematic illustrations, pictures and descriptions serve only for the purposes of explanation and representation of the instructions and cannot be used as a basis for installation or assembly work. All rights reserved.