

Opel Astra-G, Opel Zafira, Vectra-B - Irregular engine running | HELLA

Opel Astra-G, Vectra-B

Model years 1998-2000

Opel Zafira

Model years 1999-2000

All models with X18XE1 engine

Vehicle occasionally stalls; impaired idle speed control

If the above-mentioned symptoms occur on these vehicles, this may be caused by a dirty throttle valve. In this case, check the blow-by hole and, if necessary, drill open to 2mm. Afterwards, the ECU must be reprogrammed with a software modified for this purpose. The ECU software can only be updated by an authorised dealer.

Note: If a white dot (1) is already on the throttle body, this measure has already been done.

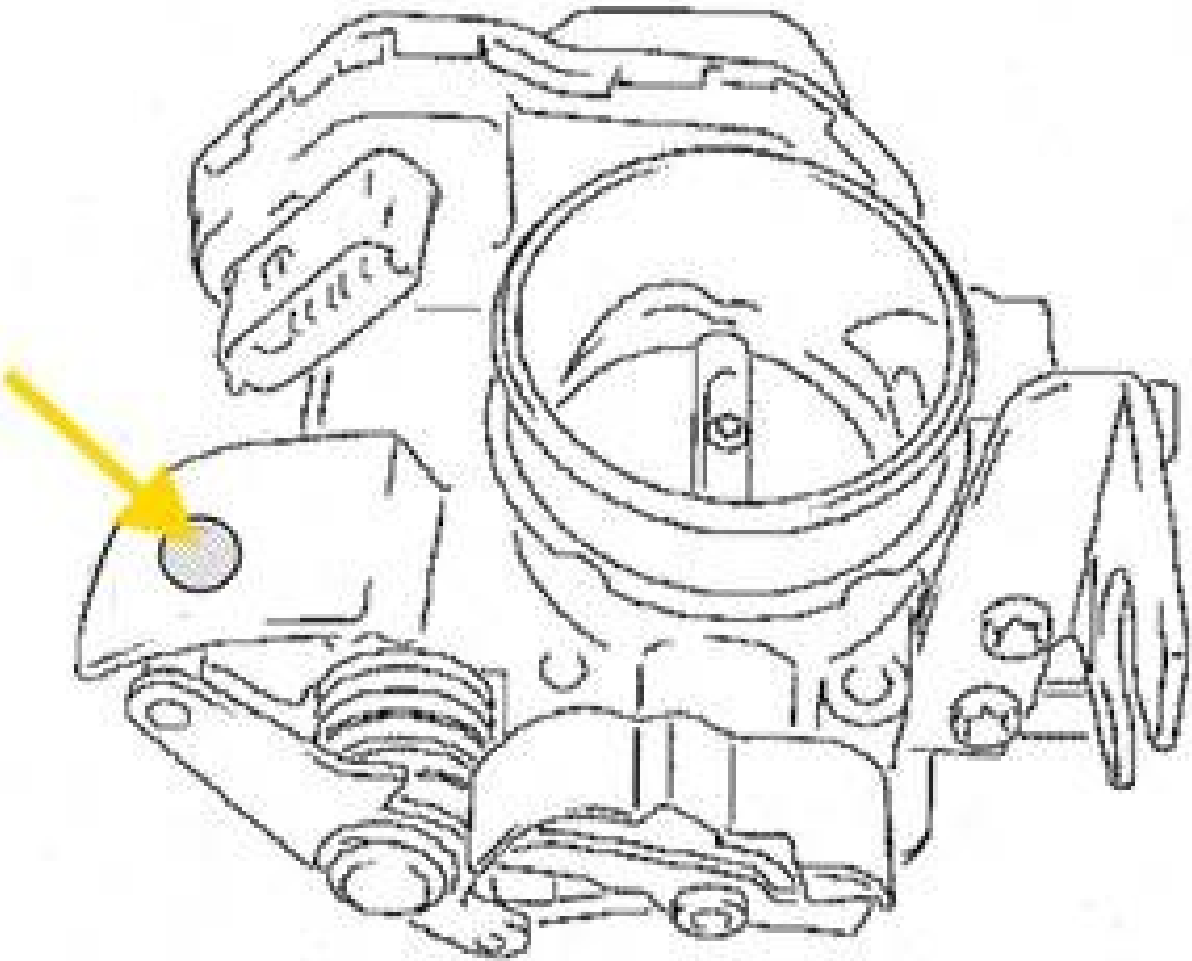
If not, proceed as follows:

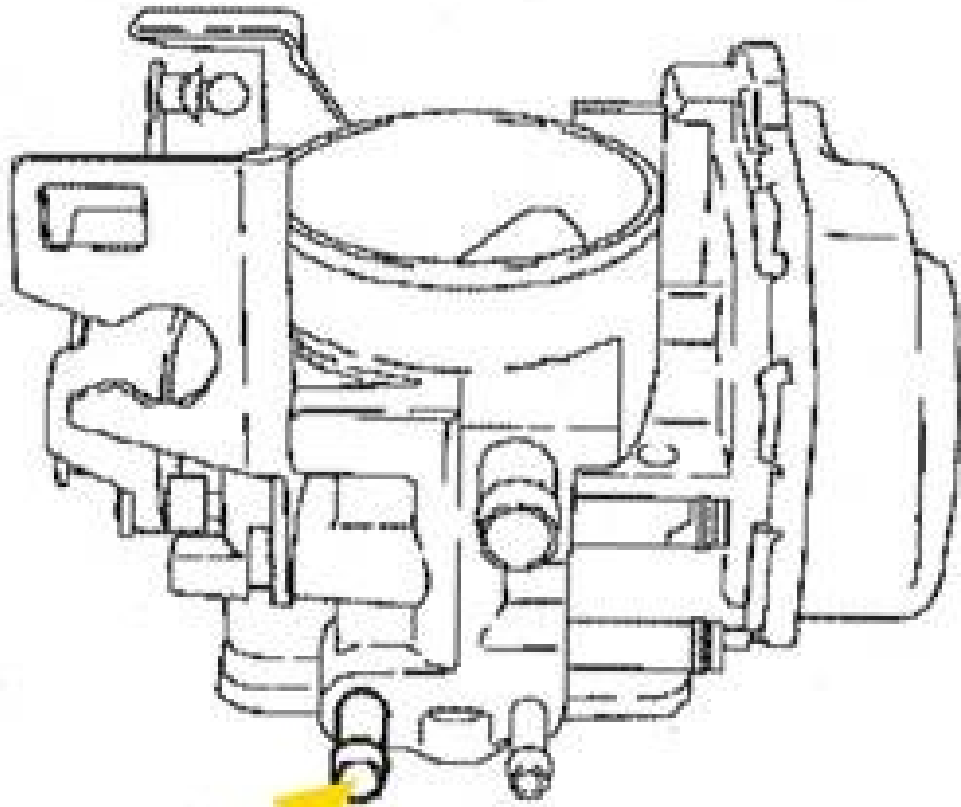
- Remove the throttle body
- Secure the throttle body in a vice, protecting the contact faces from damage with a cloth rag.
- Drill blow-by connector (2) open and clean.

Make sure that no chips remain in the throttle body.

- Install the throttle body
- Mark throttle body with white dot at position (1)
- Program engine control unit
- Teach throttle adaptation using diagnostic tool. Be sure to follow the instructions from the car manufacturer.

1





2