



# Fiat Panda - left or right low beam not functioning

Data sheet	
Manufacturer	Fiat
Vehicle model	Panda 169
Engine	All models
Year of manufacture	From 2004
Symptoms	Left or right low beam not functioning

## Important safety note

## Left or right low beam defective without error entries in the control unit

If this defect is detected in the vehicle model mentioned above, a possible cause could be a defective connector on the body computer in the front left footwell.<shy />

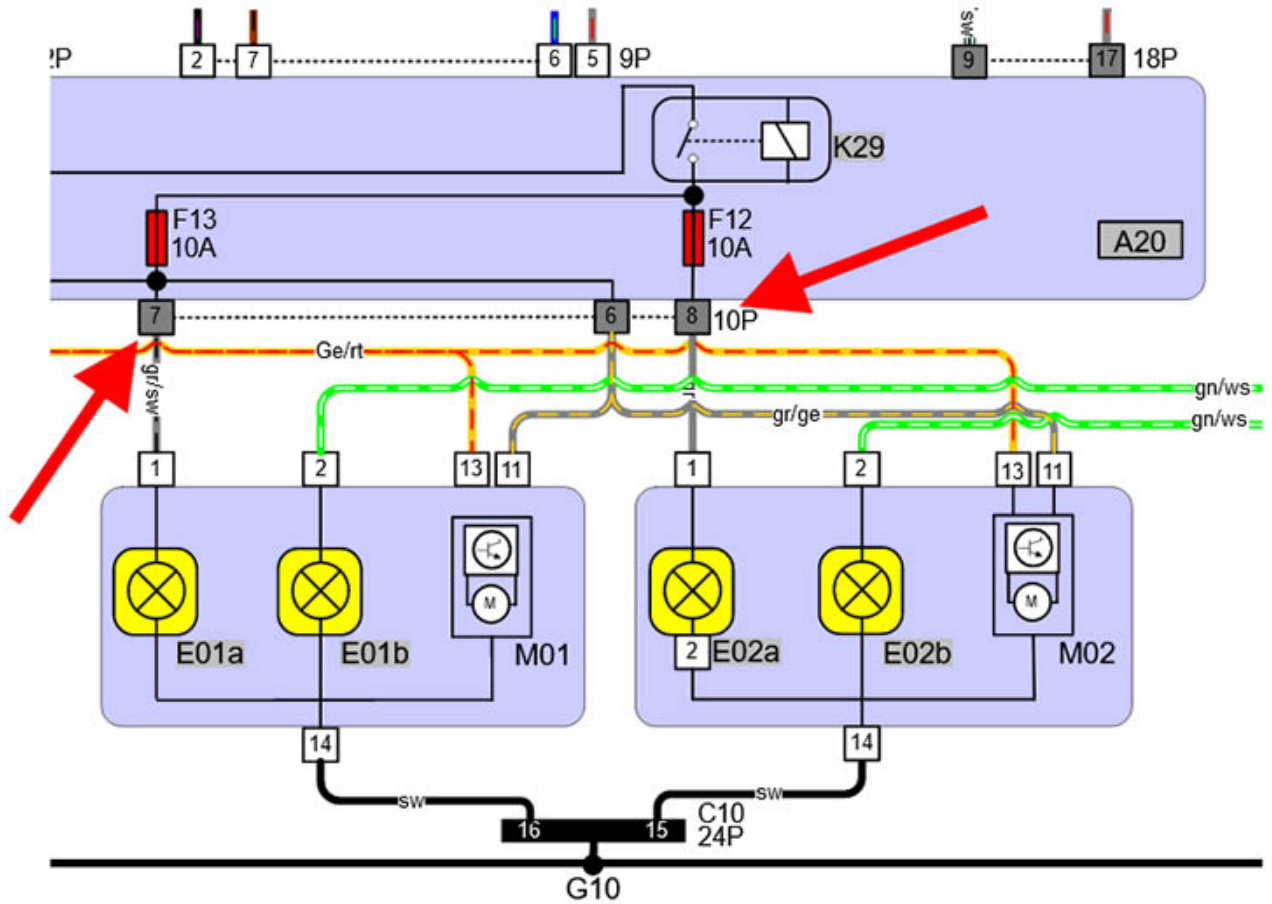
If the low beam is permanently switched on, the contacts in the connector housing may burn.<shy />

If all other causes, such as bulbs, cable connections or fuses, have been ruled out as part of the fault diagnostics, disconnect the grey connector on the body computer and check PIN 7 (grey black cable) and PIN 8 (grey cable) for any damage.<shy />

If a repair is required, all damaged parts must be replaced with new ones.

**Please note**

The vehicle manufacturer offers a repair kit as a spare part. (part number 71745167)



Plug connection on the body computer (A20). Left low beam (E01a) Right low beam (E02a)

Reprinting, distribution, reproduction, exploitation in any form or disclosure of the contents of this document, even in part, is prohibited without our express, written approval; indication of the document source is also required. The schematic illustrations, pictures and descriptions serve only for the purposes of explanation and representation of the instructions and cannot be used as a basis for installation or assembly work. All rights reserved.