

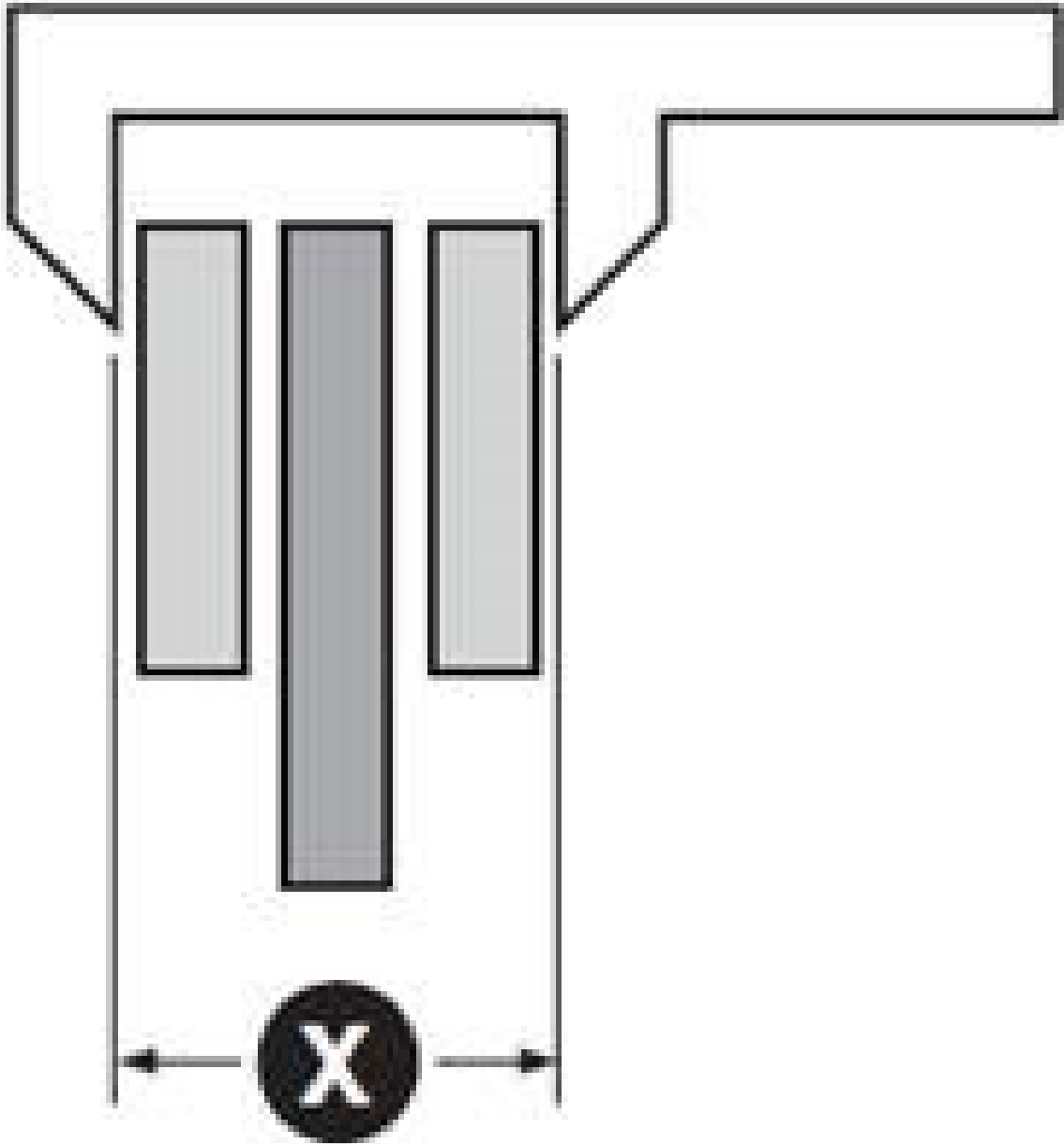
Brake calliper with integrated handbrake mechanism | HELLA

Assembly note for replacement brake callipers

General installation note

Handbrake callipers are usually set or adjusted so that the distance between the brake lining and the brake disc is at least $(X) + 1$ mm (fig. 1).

If this distance is not correct, it must be mechanically adjusted. An incorrect setting may result in damage to the piston adjustment and defective braking action.



As vehicle manufacturers use a wide variety of different designs, they are grouped into type variants A, B, C and D within the rest of this document. Please compare the figures with the brake calliper installed in the vehicle and select the associated adjustment method.

Brake calliper type A

Adjustment:

- Rotate piston, standard thread (right)
- Depending on the variant, the thread type may be left-handed or right-handed

Brake calliper type B

Adjustment:

- Remove bolt A
- Adjust via hexagon screw B

Brake calliper type C

Adjustment:

- Remove plastic cap C
- Loosen nut, adjust socket head screw, tighten nut
- Adjust hexagon screw D at the handbrake level ($x = +1$ mm)

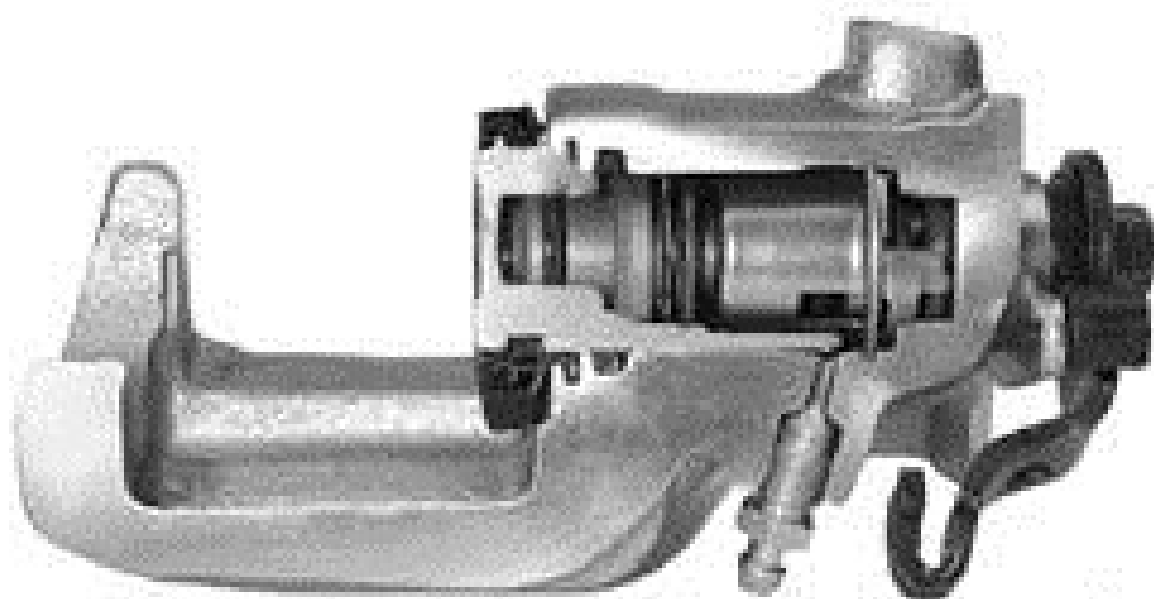
Brake calliper type D

No manual adjustment required.

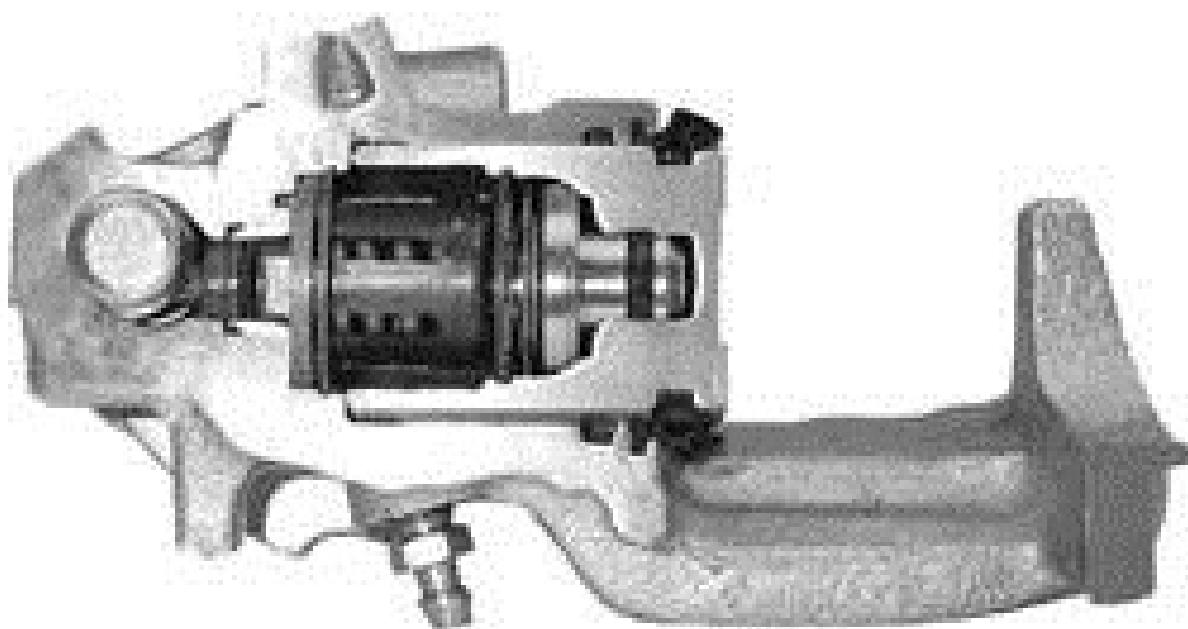
If there is too little clearance, rotate the piston 45 degrees and carefully push back. Then rotate the piston back to its original position.

Note

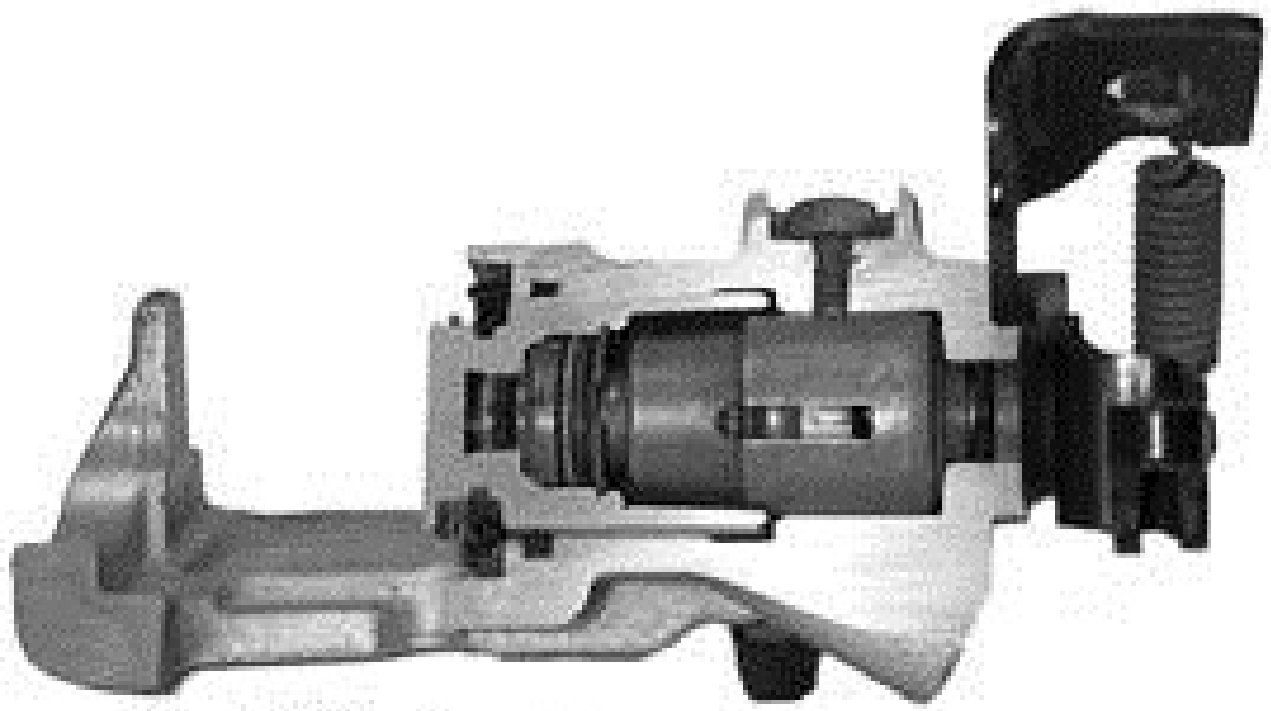
When performing this work, please always observe the repair instructions provided by the respective vehicle manufacturer.



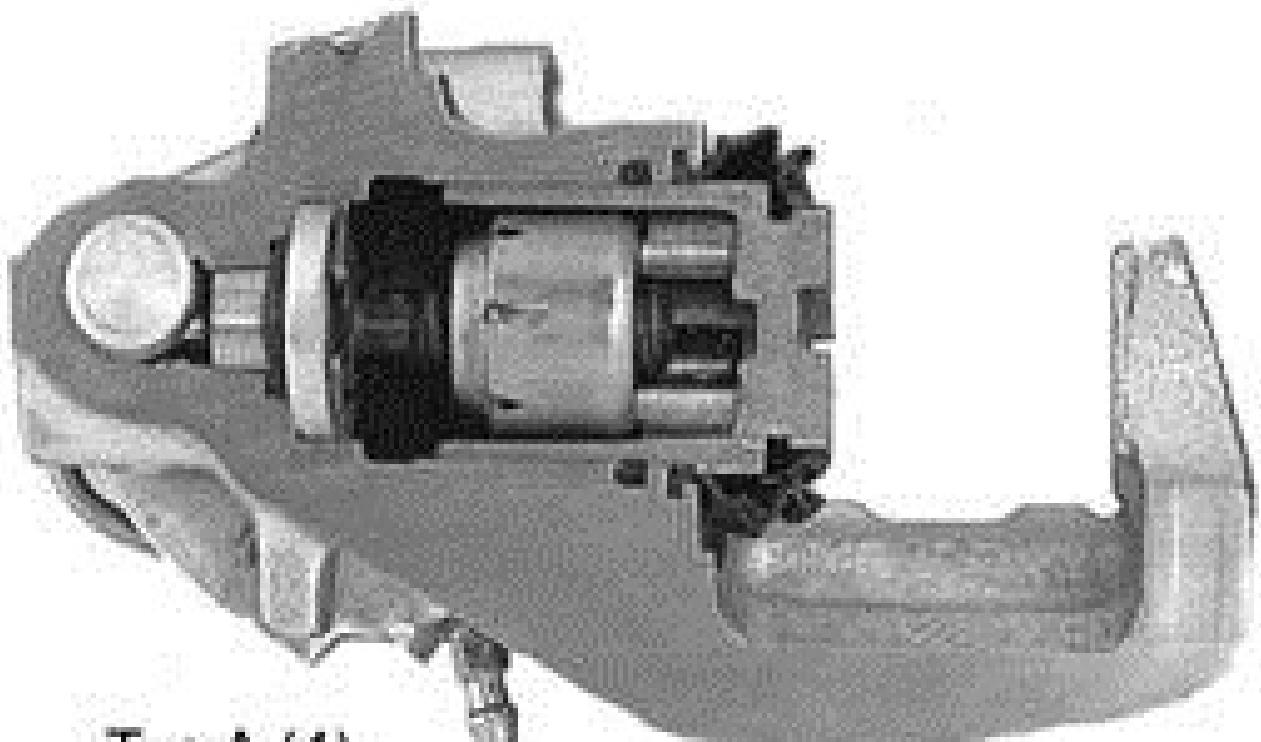
Typ A (1)



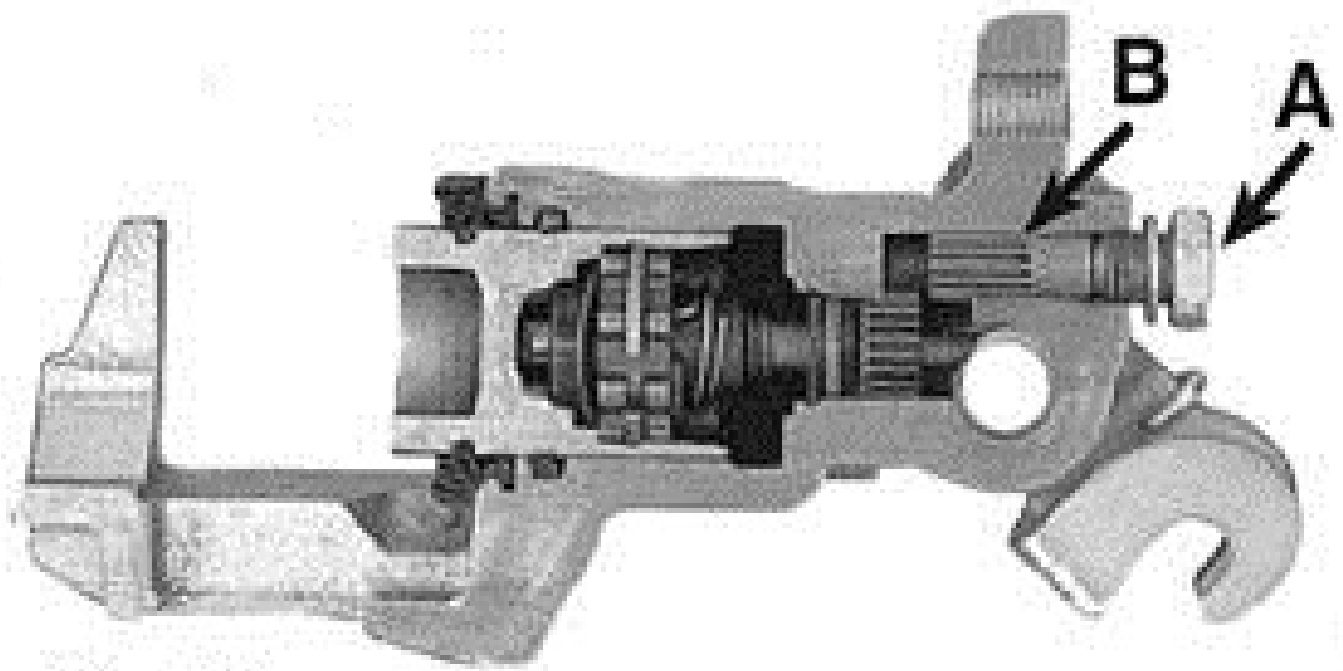
Typ A (2)



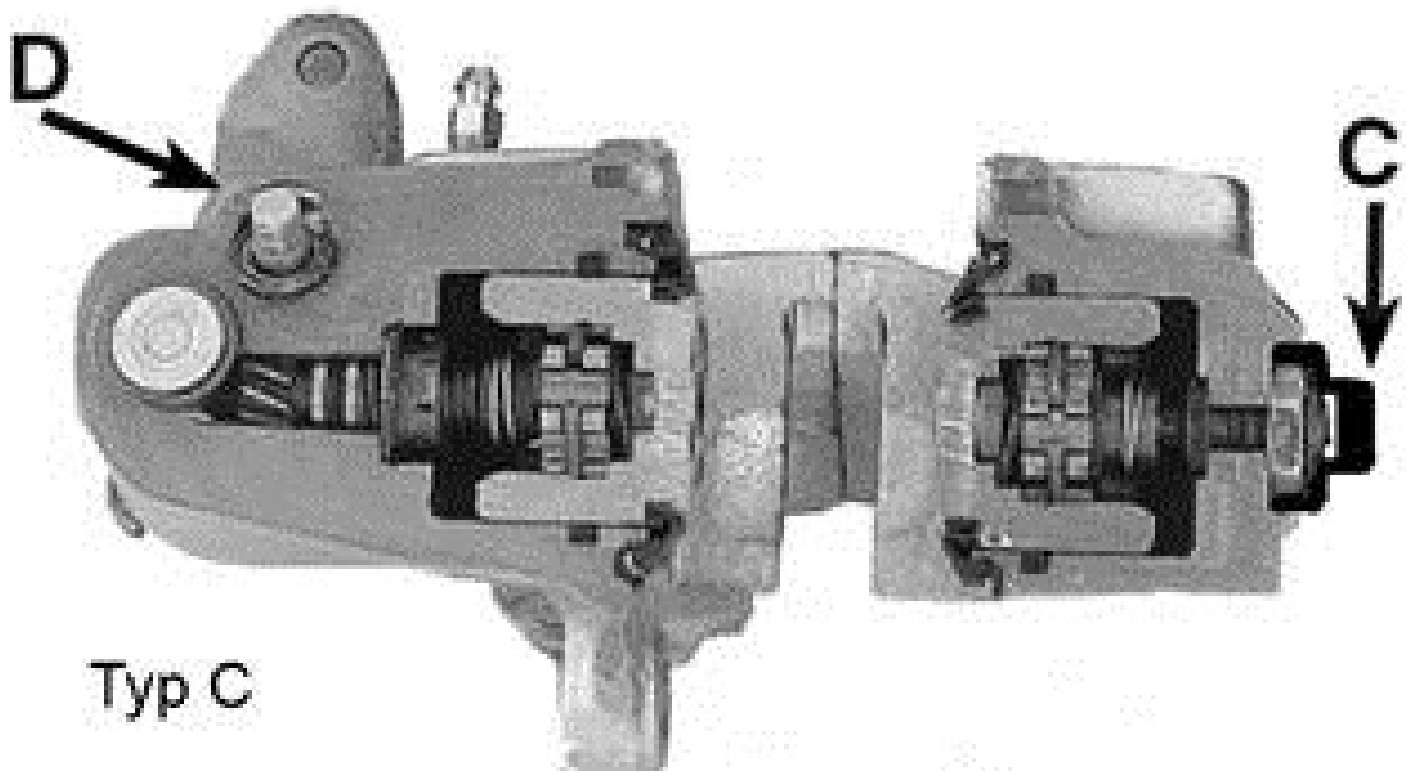
Typ A (3)



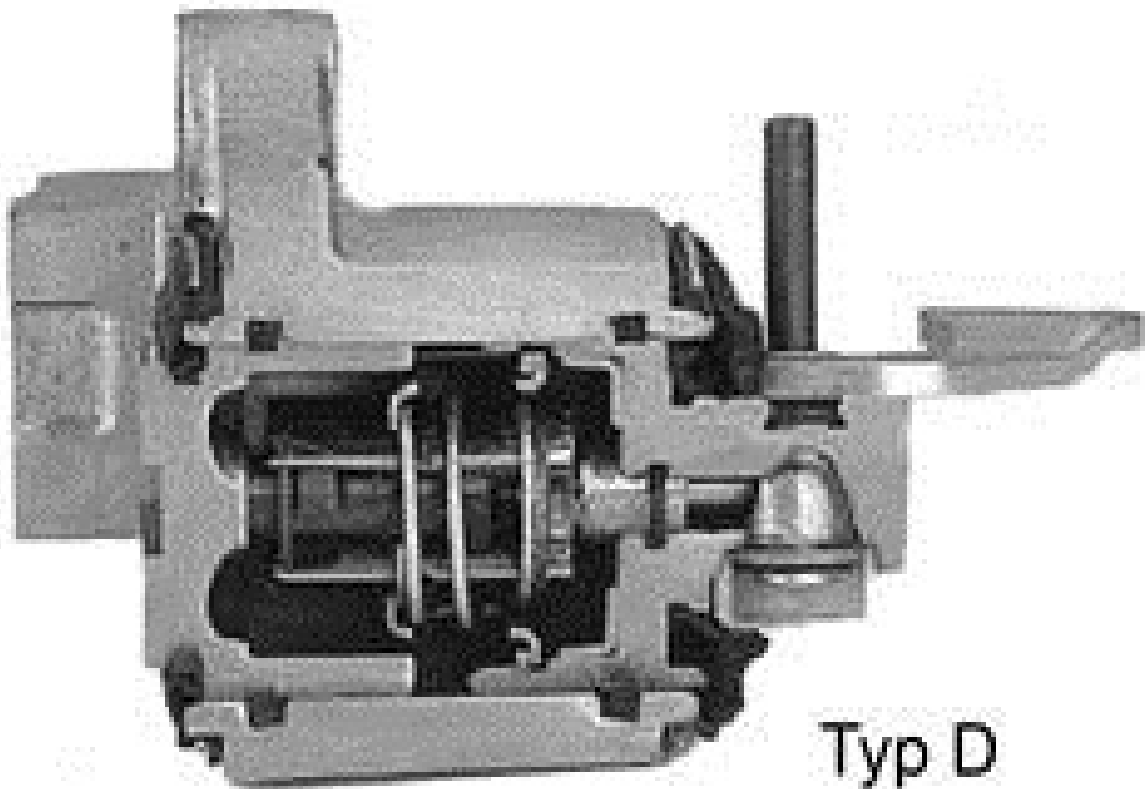
Typ A (4)



Typ B



Typ C



Typ D

ⓘ Important safety note

Technical information and practical tips have been compiled by HELLA in order to provide professional support to vehicle workshops in their day-to-day work. The information provided on this website is intended for use by suitably qualified personnel only. Reprinting, distribution, reproduction, exploitation in any form or disclosure of the contents of this document, even in part, is prohibited without our express, written approval and indication of the source. The schematic illustrations, pictures and descriptions serve only for the purposes of explanation and representation of the instructions and cannot be used as a basis for installation or assembly work. All rights reserved.