



BRIEF INFORMATION

HELLA VALUEFIT hand lamps

- Rechargeable hand lamps with micro USB cable
- Compact design for universal applications
- Choose from different light intensities
- Multifunctional use and magnetic attachment

PRODUCT FEATURES

The new HELLA VALUEFIT hand lamp range offers five handy and rechargeable lamps for workshop, leisure and DIY applications. In addition, a bonnet lamp with a powerful 1,000 lumen light output is available, which can be used in bonnets with a width of 120 to 200 cm using telescopic mounting. These multifunctional lamps can be used quickly and flexibly wherever additional light is required for repair or inspection work.

It is particularly practical that different illumination levels can be selected depending on the intended use. Specially matched to the shape of the lamp, the holders and magnetic attachments offer the right product for every application – especially when you need your hands free to work.

All hand lamps can be recharged using the USB cable included.

TECHNICAL DETAILS

USP300

USB Slim Pocket Light

Slim hand lamp with a 270° foldable lamp body. The metal hook or the strong magnet on the underside of the lamp can be used for fastening.



Technical details

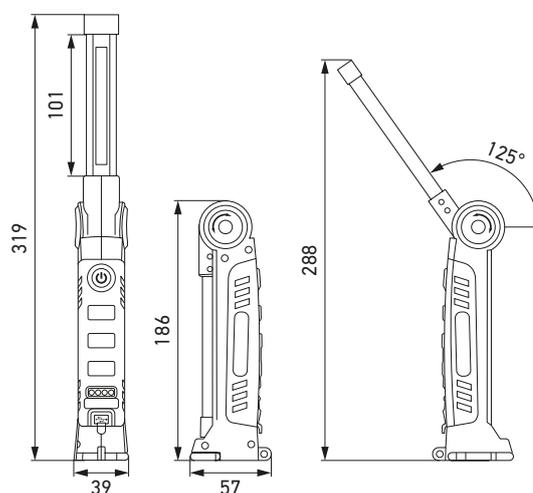
Floodlight (main light)	3 W COB-LED
Torch function (spotlight)	1 W LED
Light mode/light output	Main light (COB LED): 150 lm (level 1), 300 lm (level 2)
Charging time in hours	Max. 4 h
Operating time in hours	4 h (main light, level 1), 2.5 h (main light, level 2), 6 h (torch function)
Battery included	3.7 V/2,000 mAh Li-Ion
Temperature range	- 10 °C to + 40 °C
Material	Aluminium alloy + ABS
Product dimensions	185 x 50 x 40 mm
Net weight	200 g
Power supply via micro USB cable	Micro USB, 600 mm long, 5 V 1 A
Magnet	Yes
Additional mounting	Hook
Protection from	Short circuit/overcurrent protection, Overcharge/discharge protection
Part number	2XM 357 300-001

Scope of delivery

- Hand lamp with integrated rechargeable battery
- Micro USB charging port/cable
- Operating instructions



Dimensional sketch



Product benefits



1. Practical micro USB charging socket (with protective rubber cap) for easy connection and charging of the battery. | 2. Strong, built-in magnet on the underside for attachment to suitable surfaces. | 3. Metal hook for easy mounting. | 4. Integrated spotlight function. | 5. Eyelet ring for attaching a wrist strap. | 6. Practical charging status display.

TECHNICAL DETAILS

UPL150

USB Pen Light

Light and compact hand lamp in the shape of a pen. The pocket clip can be rotated 180° and is also equipped with a magnet.



Technical details

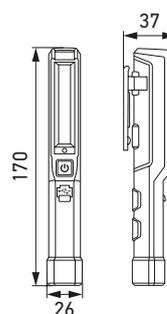
Floodlight (main light)	3 W COB-LED
Torch function (spotlight)	1 W LED
Light mode/light output	Main light (COB LED): 150 lm
Charging time in hours	1,5 h
Operating time in hours	3 h (main light), 4 h (torch function)
Battery included	3.7 V/800 mAh Li-Ion
Temperature range	- 10 °C to + 40 °C
Material	ABS
Product dimensions	168 x 23 x 30 mm
Net weight	60 g
Power supply via micro USB cable	Micro USB, 600 mm long, 5 V 1 A
Magnet	Yes
Additional mounting	Rotating clip
Protection from	Short circuit/overcurrent protection, Overcharge/discharge protection
Part number	2XM 357 300-101

Scope of delivery

- Hand lamp with integrated rechargeable battery
- Micro USB charging port/cable
- Operating instructions



Dimensional sketch



Product benefits



1. Pocket clip swivels 180°. | 2. Practical micro USB charging socket (with protective rubber cap) for easy connection and charging of the battery. | 3. Integrated spotlight function.

TECHNICAL DETAILS

USL300

USB stick lamp

Very slim rod lamp for illuminating very narrow areas. The lamp is equipped with a base that swivels 180°. Plus, hook and magnet for flexible handling.



150-300
LUMEN



152 g

Technical details

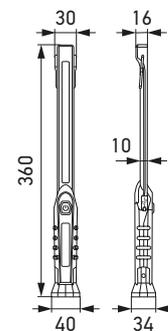
Floodlight (main light)	3 W COB-LED
Torch function (spotlight)	2 x 0.2 W LED
Light mode/light output	Main light (COB LED): 150 lm (level 1), 300 lm (level 2) Lamp function: 20 lm
Charging time in hours	Max. 4 h
Operating time in hours	5 h (main light, level 1), 3 h (main light level 2), 7 h torch function
Battery included	3.7 V / 2,000 mAh Li-Ion
Temperature range	- 10 °C to + 40 °C
Material	ABS
Product dimensions	360 x 40 x 34 mm
Net weight	152 g
Power supply via micro USB cable	Micro USB, 600 mm long, 5 V 1 A
Magnet	Yes
Additional mounting	Hook
Protection from	Short circuit/overcurrent protection, Overcharge/discharge protection
Part number	2XM 357 300-201

Scope of delivery

- Hand lamp with integrated rechargeable battery
- Micro USB charging port/cable
- Operating instructions



Dimensional sketch



Product benefits



1. Practical micro USB charging socket (with protective rubber cap) for easy connection and charging of the battery. | 2. Strong, built-in magnet on the underside of the swivelling base for flexible handling. | 3. Ergonomic and non-slip handle so that it can be held safely and comfortably. | 4. Integrated spotlight function. | 5. Practical hook for easy mounting.

TECHNICAL DETAILS

UBL1000

USB bonnet lamp

The bonnet lamp with 1,000 lumen light output for safe work in the engine compartment. With 360° rotating hooks and magnets. The two struts with two magnets each can be folded 90°. The lamp can be used on bonnets with a width of 120 to 200 cm using the extendable struts.

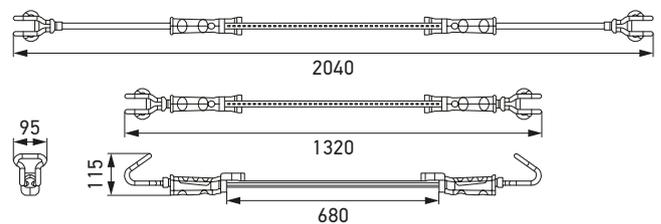


Technical details

Floodlight (main light)	40 SMD LED
Light mode/light output	Main light (SMD LED): 500 lm (level 1), 1,000 lm (level 2)
Charging time in hours	Max. 4 h
Operating time in hours	8 h (main light, level 1), 4 h (main light, level 2)
Battery included	3.7 V/4,000 mAh Li-Ion
Temperature range	- 10 °C to + 40 °C
Material	Aluminium alloy + ABS
Product dimensions	1,200 x 60 x 65 mm
Net weight	900 g
Power supply via micro USB cable	Micro USB, 600 mm long, 5 V 2 A
Magnet	Yes
Additional mounting	Extendable mounting with hooks and magnets (120 – 200 cm)
Protection from	Short circuit/overcurrent protection, Overcharge/discharge protection
Part number	2XM 357 300-501



Dimensional sketch



Product benefits



1. Strong, built-in magnets and 360° rotating hook. | 2. Practical micro USB charging socket for easy connection and charging of the battery. | 3. Extendable struts (120 to 200 cm).

Scope of delivery

- Bonnet lamp with integrated rechargeable battery
- Micro USB charging port/cable
- Operating instructions

TECHNICAL DETAILS

UHL280 AND UHL280 BASE

Rechargeable USB hand lamp

The practical holder can be rotated by 180°. There are hooks and magnets on the back and two additional magnets on the underside.

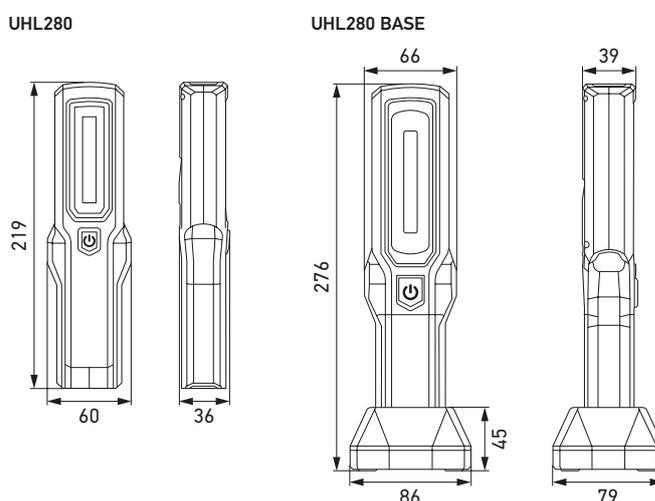
The UHL280 BASE variant is a USB rechargeable hand lamp with charging station.



Technical details

Variant	UHL280 ¹⁾	UHL280 BASE ²⁾
Floodlight (main light)	3 W COB-LED	
Torch function (spotlight)	1 W LED	
Light mode/light output	Main light (COB LED): 150 lm (level 1), 280 lm (level 2)	
Charging time in hours	Max. 4 h	
Operating time in hours	3 h (main light, level 1), 2.5 h (main light, level 2), 7 h (torch function)	
Battery included	3.7 V/2,000 mAh Li-Ion	
Temperature range	- 10 °C to + 40 °C	
Material	ABS	
Product dimensions	218 x 60 x 35 mm	275 x 85 x 75 mm (including base plate)
Net weight	300 g	330 g
Power supply via micro USB cable	Micro USB, 600 mm long, 5 V 1 A	
Magnet	Yes	
Additional mounting	Hook	
Protection from	Short circuit/overcurrent protection, Overcharge/discharge protection	
Part number	2XM 357 300-301	2XM 357 300-311

Dimensional sketch



Product benefits



1. The bracket can be swivelled through 180°. | 2. Strong, built-in magnets on the underside for attachment to suitable surfaces. | 3. Practical hook for easy mounting. | 4. Practical micro USB charging socket for easy connection and charging of the battery. | 5. Integrated spotlight function.

Scope of delivery

UHL280

- Hand lamp with integrated rechargeable battery
- USB charging port/cable
- Operating instructions

UHL280 BASE

- Additional charging station

APPLICATION EXAMPLES

USP300



UPL150



USL300



UBL1000



UHL280 and UHL280 BASE

