



BRIEF INFORMATION

RotaFlash Compact LED

- Choice of preferred function: rotating or flashing
- CISPR 25 Class 3 Interference protection and ADR certification, ensure safe operation on vehicles transporting dangerous goods
- Perfect solution for upgrade or retrofit vehicles with a design that matches the legacy halogen beacon

Product features

The RotaFlash Compact LED is the next-generation successor to the original Rota Compact, now enhanced with LED technology. With its iconic shaped lens preserved, this beacon maintains the recognisable design while offering advanced features.

Designed with similar dimensions to its predecessor, transitioning from halogen to LED has never been easier. The compact size ensures a seamless switch without the need for extensive modifications.

One of the key advancements of the RotaFlash Compact LED is the integration of both flashing and rotating functions, providing versatile warning capabilities to suit preferences and /or requirements regarding the used pattern.

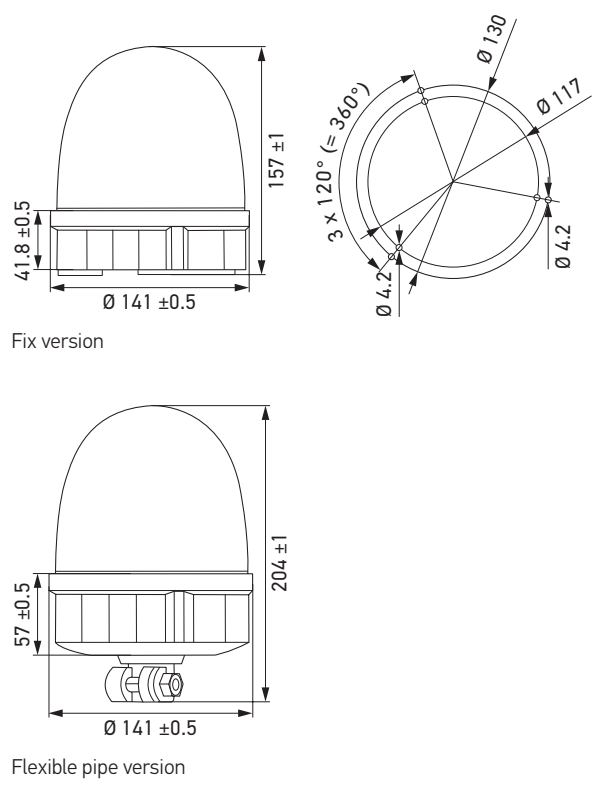
Further advantages are protection against water and dust, as well as outstanding electromagnetic compatibility (EMC), ECE-R65, SAE, ADR ensuring compliance with industry standards and regulations.

TECHNICAL DETAILS





Technical data	
Operating voltage range	Multi-voltage (9–32 V)
Rated voltage	12 and 24 V
Current consumption	Rotating: 0.60 A @ 9 V Flashing: 2.22 A @ 9 V
Power consumption	11 W
Light function	Flashing and rotating
Light source	LED
Material	Housing: polycarbonate + ABS
Weight	Fix: 575 g Flexible pipe: 795 g
Temperature range	-40 °C to +60 °C
Protection class	IP X9K, IP 67
Approved	ECE-R65 TA1
Compliant	SAE J845 Class 1, CISPR 25 Class 3
Mounting	Fix mounting and flexible pipe mounting
Connection	150 mm cable length


Dimensional sketch



PROGRAM OVERVIEW

Product Image	Description	Part Number	Packaging Unit
	RotaFlash Compact LED, F	2XD 013 878-001	1
	RotaFlash Compact LED, FL	2XD 013 878-011	1

ACCESSORIES

Product image	Description	Part number
	Latching changeover switch, 2-pin, 1 position	12 V: 6FH 353 100-031 24 V: 6FH 353 100-191
	Socket pipe for welding on, straight, 100 mm long, with rubber stopper and connector socket, in accordance with DIN 14620	1-pin: 8HG 002 365-001 2-pin: 8HG 006 294-101
	Socket pipe with screw-on base plate, total height 126 mm, with rubber stopper and connector socket, in accordance with DIN 14620	1-pin: 8HG 006 294-011 2-pin: on request
	Angled socket pipe with base plate for lateral screw attachment, clearance 90 mm, height 100 mm including rubber stopper, connector socket, 2x hexagon screws M8 x 35, 2x hexagon nuts M8, 2x spring washers, in accordance with DIN 14620	1-pin: 8HG 006 294-021 2-pin: on request
	Angled socket pipe with base plate for lateral screw attachment, clearance 50 mm, height 100 mm including rubber stopper, connector socket, 2x hexagon screws M8 x 35, 2x hexagon nuts M8, 2x spring washers, in accordance with DIN 14620	1-pin: 8HG 006 294-111 2-pin: on request
	Socket pipe for inclined screw-on surfaces, beacon adjustable parallel to the roadway, height approx. 105 mm, with rubber stopper, connector socket, 2x hexagon screws M8 x 35, 2x hexagon nuts M8, 2x spring washers, in accordance with DIN 14620	1-pin: 8HG 006 294-031 2-pin: 8HG 006 294-141
	Socket pipe with screw mounting, height approx. 100 mm, with rubber stopper and connector socket, in accordance with DIN 14620	1-pin: 8HG 006 294-051 2-pin: 8HG 006 294-091
	Socket pipe with 2 screw holes for surface mounting to the cab rear, with telescopic bracket, total height approx. 1,000 mm, can be shifted up to 700 mm, with rubber stopper and connector socket, compliant with DIN 14620	1-pin: 8HG 006 294-041 2-pin: on request