



BRIEF INFORMATION

LED interior lamp / spotlight 343 790

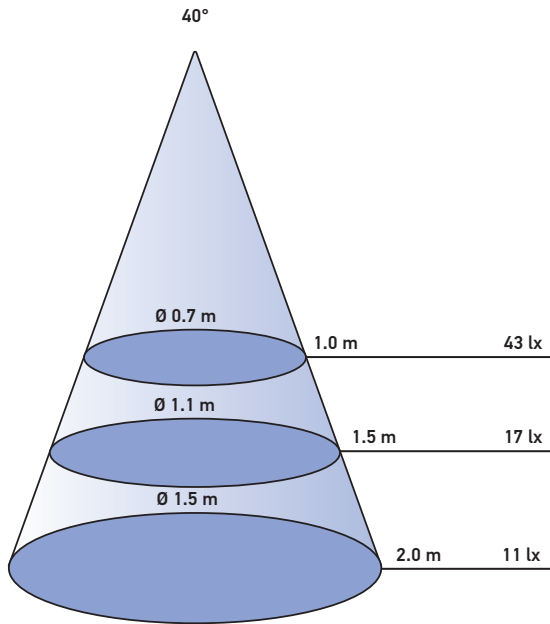
- › Optimum light output thanks to power LED and precision reflector
- › Particularly impact-resistant frame
- › Various housing colors
- › Spot with CELIS® ring

PRODUCT FEATURES

The LED interior lamp offers optimum light output thanks to its combination of power LED and precision reflector. The electronics of the lamp also enable a dimming function, which contributes to a relaxed atmosphere and creates indirect ambient lighting.

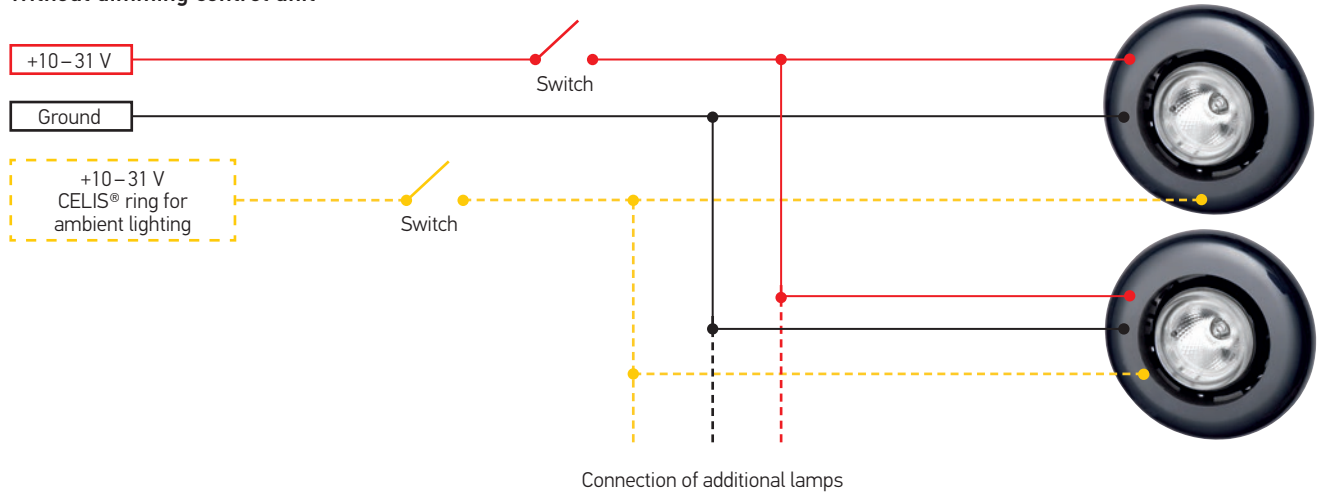
The clear lens and also the various frame colours that are on offer round off the design of the spotlight. The shatterproof frame made of impact-resistant plastic (PC) of the spotlight, which offers optimal light distribution without glare.

LIGHT DISTRIBUTION

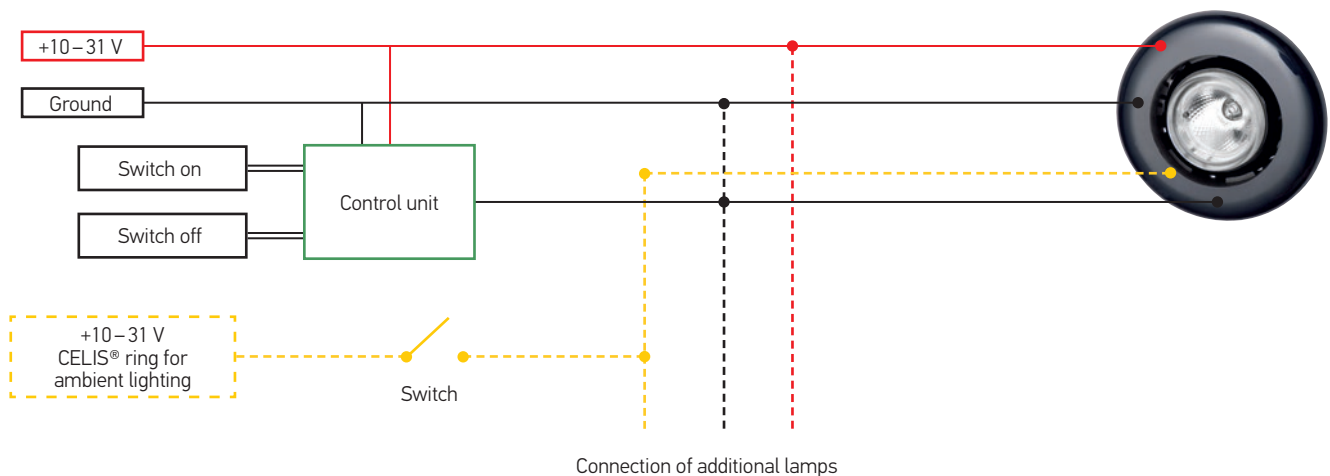


CONNECTION DIAGRAMS

Without dimming control unit



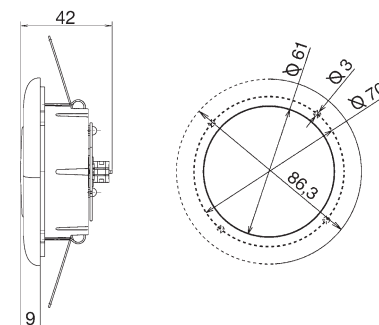
With dimming control unit









TECHNICAL DETAILS

Technical data	
Operating voltage range	Multi-voltage (9 – 32 V)
Rated voltage	12 V
Current consumption	Approx. 0.20 A
Power consumption	2.5 W
Colour temperature	Warm white
Material	Shatterproof PC plastic
Temperature range	-40 °C to +85 °C
Approved	ECE-R10
Compliant	CISPR 15 Class 7
Protection class	IP 3X
Mounting	Choice of screw or spring clip fastening

Dimensional sketch



PROGRAM OVERVIEW

Product picture	Bezel colour	Description	Mounting	Part number	Packaging unit
	Black	Red ambient 20 degrees reflector	Flush mounting, adjustable	343 790-011	1
	White	Blue ambient 20 degrees reflector		343 790-107	1
	Black	Blue ambient 20 degrees reflector		343 790-117	1
	White	Without ambient 40 degrees reflector		343 790-301	1
	Black	Without ambient 40 degrees reflector		343 790-311	1
	Black	Without ambient 20 degrees reflector		343 790-411	1

Covers in other colours (e.g. real wood look) and also variants with ambient CELIS® light guide ring (e.g. blue, red) are available on request.