



BRIEF INFORMATION

Oval 100 S-series

- › Halogen replacement series
- › Longer life and higher efficiency compared to halogen
- › Low weight and high corrosion resistance thanks to plastic material

PRODUCT FEATURES

The new Oval 100 S-series from FORVIA HELLA sets new standards in the field of LED work lamps. This high-quality lamp offers an optimum combination of outstanding quality and high efficiency and is perfect for various off-road traffic applications.

The work lamp is versatile thanks to the oval design and slim construction, whether for equipping or converting various special vehicles. This makes it easier to switch from halogen to modern LED technology.

The Oval 100 S-series LED work lamps are impressive due to their long lifetime and exceptional efficiency thanks to their outstanding lumen/watt output.

The innovative cooling fin design improves heat dissipation, and the integrated thermal management automatically dims the lamp between +50 °C and +85 °C to protect it from overheating.

The homogeneous illumination with a light colour similar to daylight at a colour temperature of 6,500 Kelvin ensures that the Oval 100 S-series offers optimum visibility. The housing and cover lens are made of special, lightweight plastics with a high corrosion resistance.

The S-series meets the highest EMC requirements and is produced in Austria in accordance with the latest technological standards. A reliable and innovative solution for individual lighting requirements.

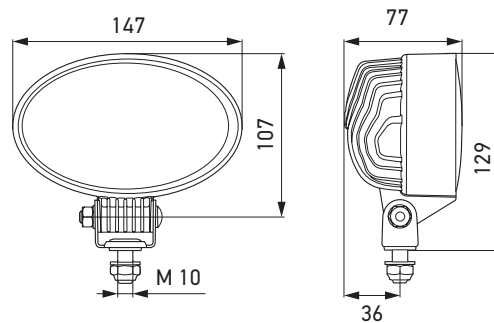
TECHNICAL DETAILS

Technical data

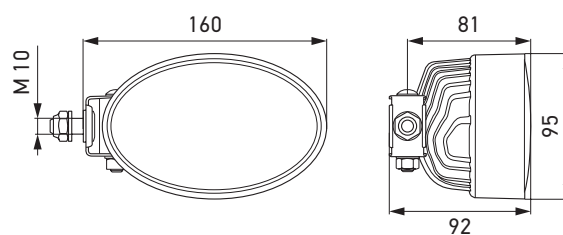
Operating voltage range	Multi-voltage (9 – 32 V)
Rated voltage	12 V and 24 V
Current consumption	12 V: Ø 1.29 A* 24 V: Ø 0.61 A**
Power consumption	12 V: Ø 17 W* 24 V: Ø 17 W**
Light output (warm)	Ø 1,850 lm
Light source	LED
Colour temperature	6,500 K
Material	Housing: heat conductive plastic Cover lens: impact-resistant plastic Bracket: stainless steel
Weight	420 g
Temperature range	-40 °C to +85 °C (overheating protection)
Protection class	IP 6K7, IP 6K9K
Approved	ECE-R10
Compliant	RCM, CISPR 25 Class 5 (12 V) and Class 4 (24 V)
Protection	Polarity reversal protection, overvoltage protection
Mounting	Upright and pendant mounting or lateral mounting
Connection	DEUTSCH DT connector, 2-pin
Manufactured in	Austria

* Warm measured at 13.2 V after 30 minutes of operation.
** Warm measured at 28 V after 30 minutes of operation.

Dimensional sketch

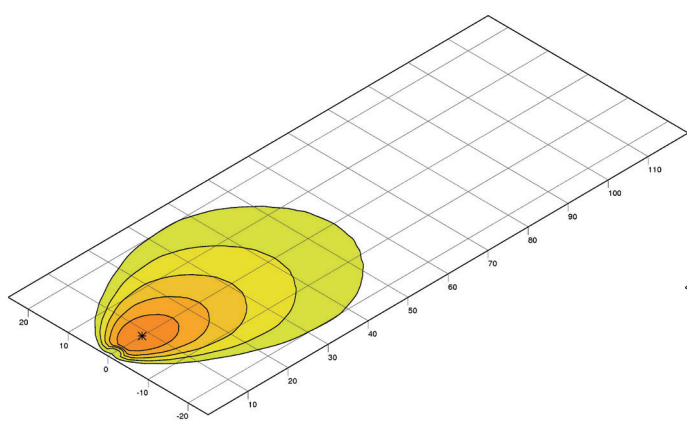


Upright and pendant mounting

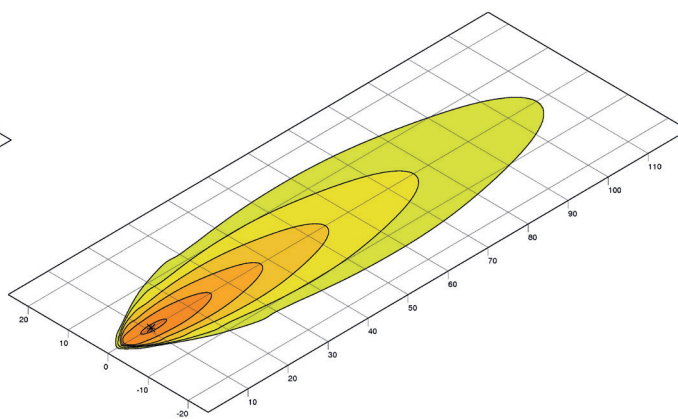


Lateral mounting

LIGHT DISTRIBUTION



Close-range illumination





Long-range illumination

lux >= 0 1 2 4 8 16 32

Mounting position: 2.5 m high at -8° (close-range illumination) or -3° (long-range illumination)

PROGRAM OVERVIEW

Product picture	Type of mounting	Illumination	Part number
	Upright and pendant mounting	Close-range illumination	1GA 996 861-001
		Long-range illumination	1GA 996 861-011
	Lateral mounting, left	Close-range illumination	1GA 996 861-031
		Long-range illumination	1GA 996 861-051
	Lateral mounting, right	Close-range illumination	1GA 996 861-041
		Long-range illumination	1GA 996 861-061