



BRIEF INFORMATION

Flexible LED reading lamp 346 720

- › Optimum light output thanks to power LED
- › With a 150-mm and 400-mm-long lamp arm
- › With or without connector for cigarette lighter/power socket

PRODUCT FEATURES

The flexible LED reading lamp ensures optimum light output thanks to its power LEDs. The lens generates a narrow, punctual illumination, meaning that it is ideally suited as a reading lamp in the vehicle interior.

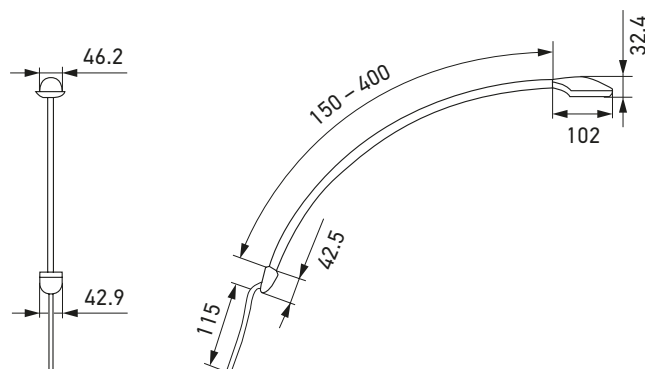
The housing is made of shatterproof and UV-resistant plastic (ABS) and is available in white, black or silver. For additional ease of use, the switch is integrated directly into the head of the lamp and sealed with a rubber cap.

The flexible and rotatable lamp arm enables illumination of different areas in the vehicle interior and can be adjusted to the appropriate position at any time. When it comes to mounting the lamp, it can be firmly screwed in place or alternatively connected to cigarette lighters and power sockets using connectors.




TECHNICAL DETAILS

Technical data	
Operating voltage range	Multi-voltage (9–31 V)
Rated voltage	12 V and 24 V
Current consumption	Approx. 0.20 A (12 V) Approx. 0.11 A (24 V)
Power consumption	2.5 W
Light source	1 power LED
Protection class	IP 53
Connection	150-mm-long cable (2 x 0.75 mm ²) or connector for cigarette lighter power sockets

Dimensional sketch

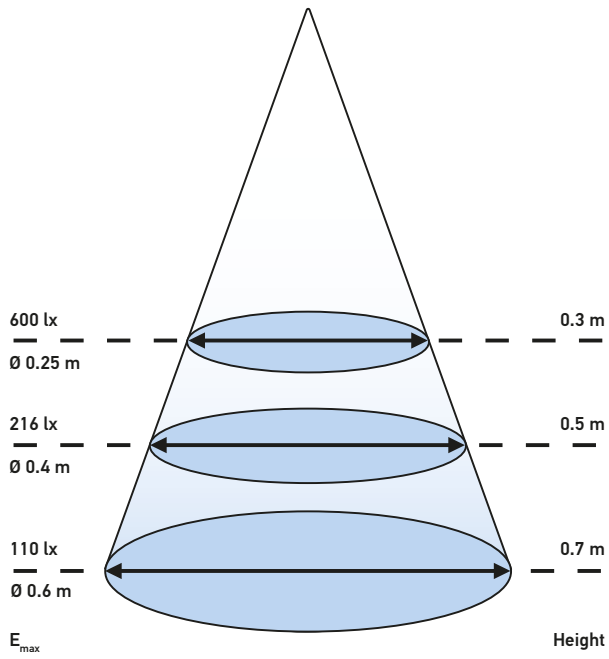


PROGRAM OVERVIEW

Product picture	Cover colour	Length of the lamp arm	Connection	Part number
	White	150 mm	150 mm cable	2JA 346 720-011
		400 mm	150 mm cable	2JA 346 720-111
	Black	150 mm	150 mm cable	2JA 346 720-021
		168 mm	With connector for cigarette lighter	2JA 346 720-081
		400 mm	150 mm cable	2JA 346 720-121
	Silver	150 mm	150 mm cable	2JA 346 720-291
		168 mm	With connector for cigarette lighter	2JA 346 720-091
		400 mm	150 mm cable	2JA 346 720-191

On request, covers in other colours (e.g. real wood look) are available as well as versions with two bi-colour light colours (white/red) for marine and ambulance applications.

LIGHT DISTRIBUTION



APPLICATION EXAMPLES

