



## BRIEF INFORMATION

### M26 horn

- › Optimum tone colour when a high and low tone set is installed
- › Optional Teflon pellet as humidity protection
- › High corrosion protection
- › Diaphragm to protect against moisture/humidity penetration
- › Variants with additional interference suppression available

## PRODUCT FEATURES

### Application

Horns are a mandatory part of the safety equipment of every vehicle. A particularly perceptible signal is necessary so that other road users can be warned effectively in dangerous situations. Our signal horns offer you a high level of functional reliability.

### Design and function

Horns are powered by battery current, which is normally controlled by the steering wheel via a control current. This is directed to a relay, which transmits the entire control current so that no voltage drops occur. The control current activates the solenoid in the horn and generates a magnetic field that attracts a metal core (armature) to which the steel diaphragm of the horn is fastened. In an attracted state, the power supply is interrupted, the magnetic field breaks down, the armature and diaphragm move back to the rest position and the power supply is re-established. The process then begins again. This causes an oscillation, which can be heard as a low or high sound.

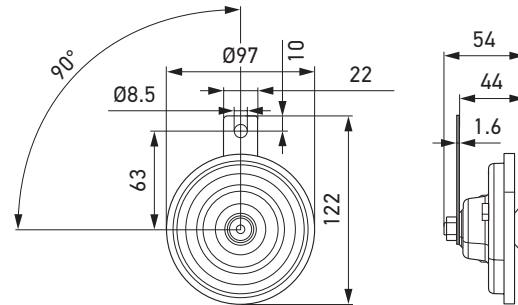


# TECHNICAL DETAILS

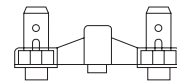
## Technical data

Diameter	97 mm
Rated voltage	12 or 24 V
Frequency range	335 Hz (low tone) 400 Hz (high tone)
Sound pressure level at 2 m distance	115 dB(A)
Power consumption	12 V horns: 66 W (-891, -811, -861), 72 W (-841, -917, -907), 54 W (-827), 60 W (-857) 24 V horns: 84 W (-871, -821, -927)
Current consumption	-891, -811, -861 max. 5.5 A -841, -917, -907 max. 6 A -827 max. 4.5 A -857 max. 5 A -871, -821, -927 max. 3.5 A
Operating temperature	-40 °C to +60 °C
Degree of protection	IP X9K -841, -827, 917, -871, -927: additionally IP X7
Lifetime	50,000 cycles
Housing material	Metal
Approved	ECE-R28, (E) 0020011

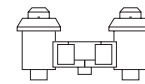
## Dimensional sketch



## Pin assignment / electrical connection



**A**  
6.3 mm flat connector



**B**  
6.3 mm splash-proof flat connector  
in conjunction with rubber grommet

# PROGRAM OVERVIEW

Product image	Description	Teflon pellet	Connection	Part number	PU*
	12 V, 335 / 400 Hz	X	A	3AM 002 952-891	1 set
	12 V, 400 Hz	X	A	3AL 002 952-811	1
	12 V, 335 Hz, low tone	X	A	3AL 002 952-861	1
	24 V, 335 Hz, low tone	-	A	3AL 002 952-871	1
	12 V, 335 Hz, low tone	X	B	3AL 002 952-841	1
	12 V, 400 Hz, high tone	-	B	3AL 002 952-827	40
	12 V, 400 Hz, high tone	X	A	3AL 002 952-857	40
	12 V, 335 Hz, low tone	-	B	3AL 002 952-917	40
	12 V, 400 Hz, high tone	X	A	3AL 002 952-907	40
	24 V, 400 Hz, high tone	X	A	3AL 006 958-821	1
	24 V, 335 Hz, low tone	-	A	3AL 002 952-927	40

\* Packaging unit