



BRIEF INFORMATION

RokLUME 280N Gen. 2

- More energy efficient
- Improved light patterns and extended illumination variants
- Centred bracket enables different mounting options
- Heavy Duty bracket for high vibration requirements
- Compact size suitable for all mining machinery

PRODUCT FEATURES

Operators of heavy-duty vehicles depend on strong visual cues to see road conditions immediately ahead. This way they can avoid hazards well in advance. Choosing the correct light is a critical aspect for increased reaction times and safety.

The RokLUME 280N Gen. 2 LED work lamp has a very high light output of up to 5,000 lumen. The colour temperature is very close to daylight providing ideal operating conditions & reducing fatigue. This will ensure higher productivity by giving drivers enhanced visibility.

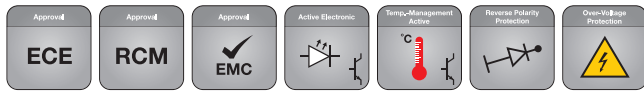
We have improved the Luminous Efficacy of the LED's which further increases lamp efficiency. The RokLUME 280N Gen. 2 comes initially in five beam patterns. Each work lamp is designed for a specific working environment. The close-range

variant has been improved to give more light directly in front of the vehicle whilst increasing beam width. The long-range variant has a highly improved light distribution for close, medium and distance with no hot or cold spots. Our latest innovation variant is the tunnel flood beam pattern. This work lamp creates a perfect light pattern for underground heavy-duty vehicles.

The housing of the RokLUME 280N Gen. 2 is made of high quality die-cast aluminium.

The coating is Hella's patented Nanosafe, corrosion resistant material. The work lamp can be securely mounted by the heavy-duty bracket in three positions: pedestal, pendant or behind the lamp.

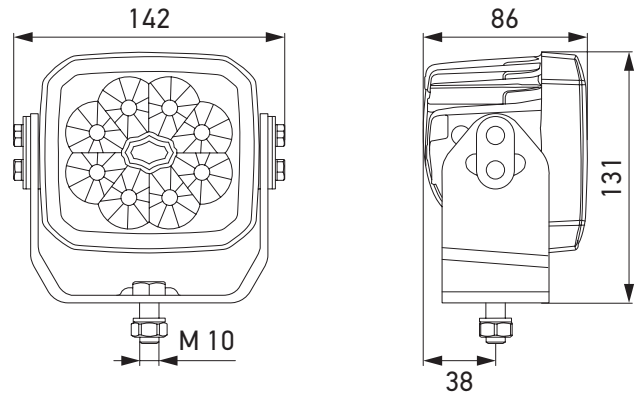
TECHNICAL DETAILS



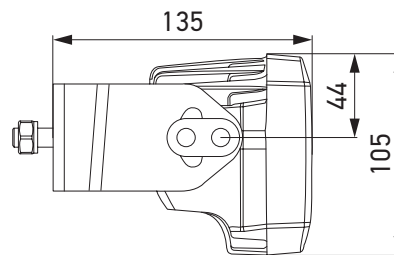
Technical data

Operating voltage	Multi-voltage (9 – 32 V)
Rated voltage	12 V / 24 V
Power consumption	max. 50 W
Light output	up to 5,000 lm
Light source	LED
Colour temperature	5,000 K
Material	Housing: die-cast aluminium with NanoSafe non-stick / easy to clean surface coating Lens: Hard coated PC lens Bracket: 316 Stainless steel
Weight	1,476 g
Temperature range	- 40 °C to +90 °C (overheat protected)
Protection class	IP 6K9K, IP 6K8
Type approval	ECE-R10
EMC protection	CISPR 25 Class 5
Mounting	Upright, pendant and wall
Connection	DEUTSCH DT 2 pin connector, DEUTSCH DT counterpart included
Manufactured in	Austria

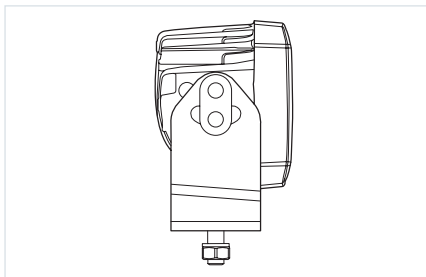
Dimensional sketch



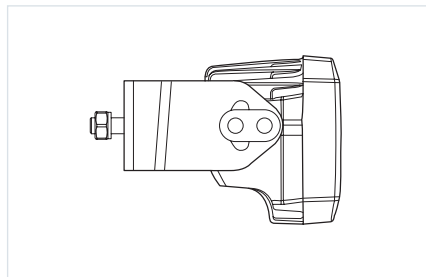
RokLUME 280N Gen. 2 (Wall mounting)



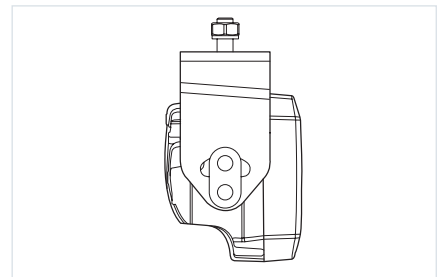
Mounting options



Upright mounting



Wall mounting



Pendant mounting

PROGRAM OVERVIEW

Cover lens colour	Illumination	Part number
Clear	Close-range illumination	1GA 995 706-501
	Long-range illumination	1GA 995 706-511
	ZEROGLARE Gen 2	Coming Soon*
	ZEROGLARE Gen 1	1GA 995 606-541*
	Pencil beam illumination	1GA 995 706-531
Diffused	Tunnel flood illumination	1GA 995 706-551
	Diffuse flood illumination	1GA 995 706-541

*Roklume 280N Zero Glare Gen 1 will be available until the release of Gen 2

GEN 2 ISOLUX DIAGRAMS

