



ADR - APPLICATION AND MOUNTING INSTRUCTIONS

ADR 49/00 Front End-Outline Marker Lamp

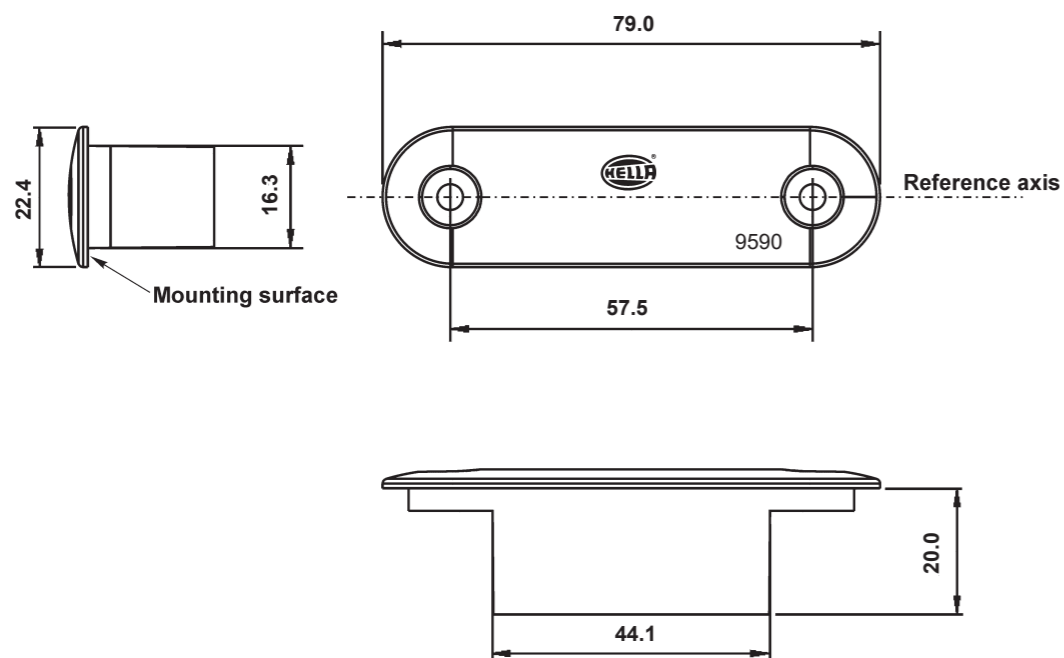
FRONT END-OUTLINE MARKER LAMP (TRAILERS ONLY)

Lens Marking and ADR 13/00 Installation Requirements

This lamp, identified by lens marking 9590 and the logo was manufactured to comply with ADR 49/00 Front End-Outline Marker Lamps

- A tolerance of +/-3 degrees applies on all mounting details.
- Lamp mounting surface must be vertical to the ground and be square to the vehicle longitudinal axis
- Lamp reference axis must be horizontal
- Lamp must be visible between
 - Horizontal angle: 0° inwards (parallel with vehicle axis) and 80° outwards
 - Vertical angle: 5° above and 15° below the horizontal

Note: Please refer to ADR 13/00 for more details.



PART NUMBER	CTA NUMBER	ADR 51/00 GLOBE	LENS IDENTIFICATION NO.
2056 2PF 959 590-3xx 959.590-3xx	CTA-027380	N/A LED	9590

HELLA-New Zealand Limited, Auckland



ADR - APPLICATION AND MOUNTING INSTRUCTIONS

ADR 49/00 Front End-Outline Marker Lamp

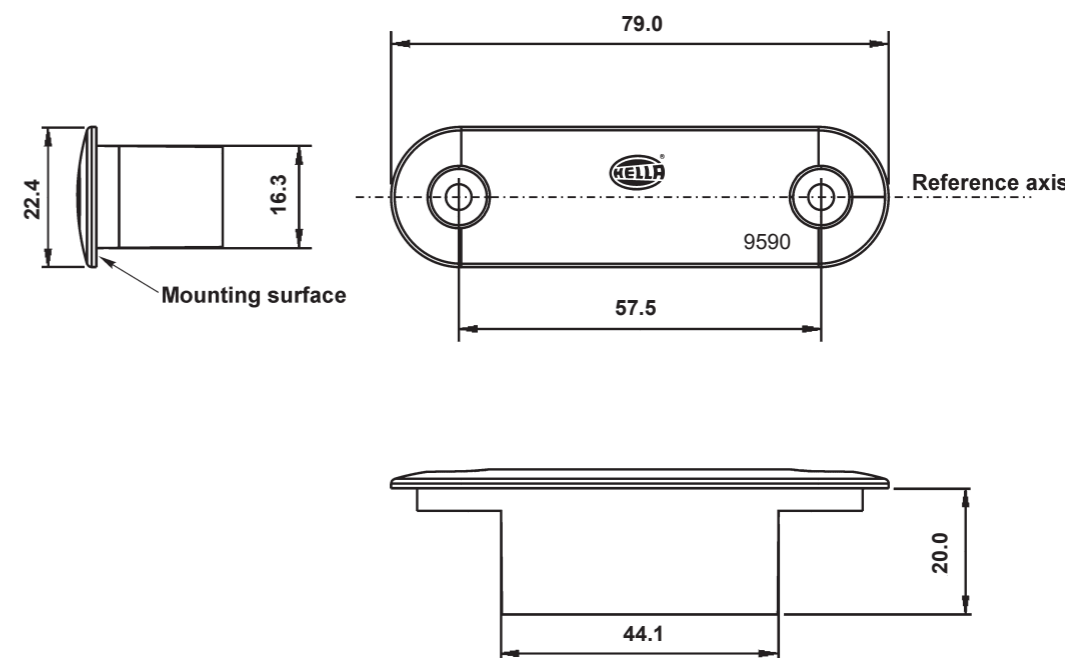
FRONT END-OUTLINE MARKER LAMP (TRAILERS ONLY)

Lens Marking and ADR 13/00 Installation Requirements

This lamp, identified by lens marking 9590 and the logo was manufactured to comply with ADR 49/00 Front End-Outline Marker Lamps

- A tolerance of +/-3 degrees applies on all mounting details.
- Lamp mounting surface must be vertical to the ground and be square to the vehicle longitudinal axis
- Lamp reference axis must be horizontal
- Lamp must be visible between
 - Horizontal angle: 0° inwards (parallel with vehicle axis) and 80° outwards
 - Vertical angle: 5° above and 15° below the horizontal

Note: Please refer to ADR 13/00 for more details.



PART NUMBER	CTA NUMBER	ADR 51/00 GLOBE	LENS IDENTIFICATION NO.
2056 2PF 959 590-3xx 959.590-3xx	CTA-027380	N/A LED	9590

HELLA-New Zealand Limited, Auckland



Lamp Mounting Instructions

Ensure the lamp is mounted on a flat surface with the gasket provided. The lens may be used as a template for themounting holes. Mount the lamp and fit screw caps into the mounting hole recesses of the lens.

Note: Lamp is fully sealed and has no serviceable components. If it is necessary to remove the screw caps, use a pin.

Wiring Colour Coding

The marker lamp is multi voltage capable allowing full light output between 8 and 28 volts. LED lamps are polarity conscious. Reverse polarity will not damage this product but will inhibit its function. HELLA recommends wire connections be soldered, and heat shrink tubing applied to seal the joint.

Colour	Connect to	Power Consumption
Black	Earth (-)	
Orange	Positive(+)	0.4 watts @ 12 volts 0.8 watts @ 24 volts

NB: Lamp must be protected by a fuse rated at 2 amperes maximum.

Energy saving recommendation for 24 volt systems

To derive the full benefit of the low power consumption (0.4 watts), HELLA recommends to wire pairs of marker lamps in series.

Compatibility to existing electrical systems

It is important for the installer to ascertain the compatibility of the low power consumption LED lamps with the electrical and/or electronic systems of the complete vehicle, including trailers. In most cases the reduced power consumption is beneficial by imposing less demands on the entire electrical system.

For certain functions some electrical systems rely on a set power consumption for monitoring whether, for example, a trailer is connected.

Operation of this lamp using alternating current or modulated direct voltage will cause premature light failure. HELLA recommends connecting ADR or ECE certified Multivolt LED signal and marker lamps to a continuous (unmodulated) 12V or 24V power supply to ensure safe light operation.

FIT AND FORGET - BY DESIGN

Congratulations, the product you have selected comes from **HELLA** - a world leader in LED lighting design.



Following the launch of the first LED automotive signal lamps in 1990, **HELLA** Design and Innovation continues to set new standards. **HELLA** innovative solutions have been incorporated into millions of lamps, engineered and tested to the most stringent standards, to suit the most demanding environmental conditions.

The cornerstone to the success of our products is our no compromise **Fit and Forget - by Design** philosophy which is incorporated into every step of the product life cycle.

In a world consuming finite resources at an ever faster rate, **Fit and Forget - by Design** is the right environmental choice that also makes perfect economic sense to customers that consider the total life cycle Cost of Ownership.



Lamp Mounting Instructions

Ensure the lamp is mounted on a flat surface with the gasket provided. The lens may be used as a template for themounting holes. Mount the lamp and fit screw caps into the mounting hole recesses of the lens.

Note: Lamp is fully sealed and has no serviceable components. If it is necessary to remove the screw caps, use a pin.

Wiring Colour Coding

The marker lamp is multi voltage capable allowing full light output between 8 and 28 volts. LED lamps are polarity conscious. Reverse polarity will not damage this product but will inhibit its function. HELLA recommends wire connections be soldered, and heat shrink tubing applied to seal the joint.

Colour	Connect to	Power Consumption
Black	Earth (-)	
Orange	Positive(+)	0.4 watts @ 12 volts 0.8 watts @ 24 volts

NB: Lamp must be protected by a fuse rated at 2 amperes maximum.

Energy saving recommendation for 24 volt systems

To derive the full benefit of the low power consumption (0.4 watts), HELLA recommends to wire pairs of marker lamps in series.

Compatibility to existing electrical systems

It is important for the installer to ascertain the compatibility of the low power consumption LED lamps with the electrical and/or electronic systems of the complete vehicle, including trailers. In most cases the reduced power consumption is beneficial by imposing less demands on the entire electrical system.

For certain functions some electrical systems rely on a set power consumption for monitoring whether, for example, a trailer is connected.

Operation of this lamp using alternating current or modulated direct voltage will cause premature light failure. HELLA recommends connecting ADR or ECE certified Multivolt LED signal and marker lamps to a continuous (unmodulated) 12V or 24V power supply to ensure safe light operation.

FIT AND FORGET - BY DESIGN

Congratulations, the product you have selected comes from **HELLA** - a world leader in LED lighting design.



Following the launch of the first LED automotive signal lamps in 1990, **HELLA** Design and Innovation continues to set new standards. **HELLA** innovative solutions have been incorporated into millions of lamps, engineered and tested to the most stringent standards, to suit the most demanding environmental conditions.

The cornerstone to the success of our products is our no compromise **Fit and Forget - by Design** philosophy which is incorporated into every step of the product life cycle.

In a world consuming finite resources at an ever faster rate, **Fit and Forget - by Design** is the right environmental choice that also makes perfect economic sense to customers that consider the total life cycle Cost of Ownership.