



BRIEF INFORMATION

MODULE 50 LED

- Innovative LED technology
- Ultra-compact design
- Sturdy housing

PRODUCT FEATURES

With the Module 50 LED, HELLA now offers an ultra-compact worklight that achieves a high light output despite its size. A specially developed lens system concentrates the light and distributes it to the range of operation. The Module 50 LED is the smallest worklight in the HELLA product range and is therefore particularly suitable for setups with little space.

At 800 lumens, the light output is well suited to close-range illumination. There is also an optic-free version that facilitates long-range and/or spot illumination. Thanks to its powerful light output, the Module 50 LED can replace standard halogen worklights (e.g. H3/55 Watt) – despite only having a power consumption of 15 Watts.

This makes this worklight ideal for use on battery-operated vehicles or on vehicles where the alternator is already under a heavy load. The integrated electronics protect the device in the event of polarity inversion and guarantee constant brightness, even when operating with voltage fluctuations between 9 and 50 Volts. This ensures that the worklight stays functional and guarantees safe working at night.

With its color temperature of 5,700 Kelvin, the light from the LED worklight is very similar to daylight. This helps to distinguish colors more easily in the dark, and thus facilitates the human eye's sensory perception task. This in turn facilitates work at night and prevents the eyes tiring quickly.

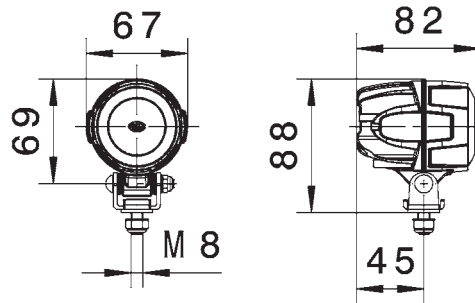
The worklight's black housing is made of aluminum and incorporates cooling fins. These ensure the necessary heat dissipation from the high-power multichip LEDs. Additionally, a temperature sensor protects the worklight from overheating. This is the only way the long service life of the LEDs (up to 130 times longer than a halogen filament bulb) can be exploited.

TECHNICAL DETAILS

Technical Data

Operating voltage / rated voltage	9 – 50 V
Recommended angle of inclination	Close-range: 12°, long: 5°
Light source type	1 Multichip LED
Power consumption	15 W
Light output	800 lm
Color temperature	5.700° Kelvin
Protection class	IP 6K9K and IP 6K8
Type approval	ECE R10
Housing	Aluminum die cast
Light exit element	Diameter 35 mm

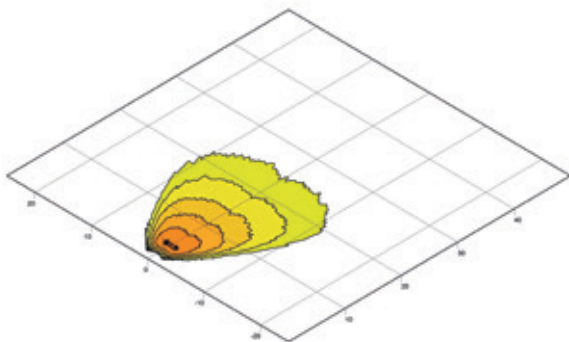
Dimensional sketch



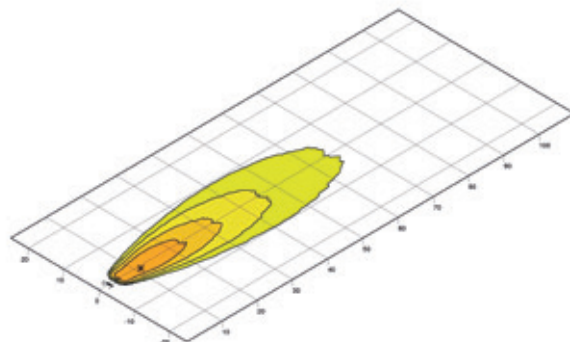
RANGE OVERVIEW

1G0 995 050-...	-001	-021
Close-range illumination	X	-
Long-range illumination	-	X
Upright mounting	X	X
Suspended mounting	-	-
Swivel base	X	X
Recommended angle of inclination	12°	5°
DEUTSCH plug	X	X
Nylon lens	X	X
Protected against overheating	X	X
Reverse-polarity protected	X	X

LIGHT DISTRIBUTION



Close-range illumination



Long-range illumination

