



ADR - APPLICATION AND MOUNTING INSTRUCTIONS

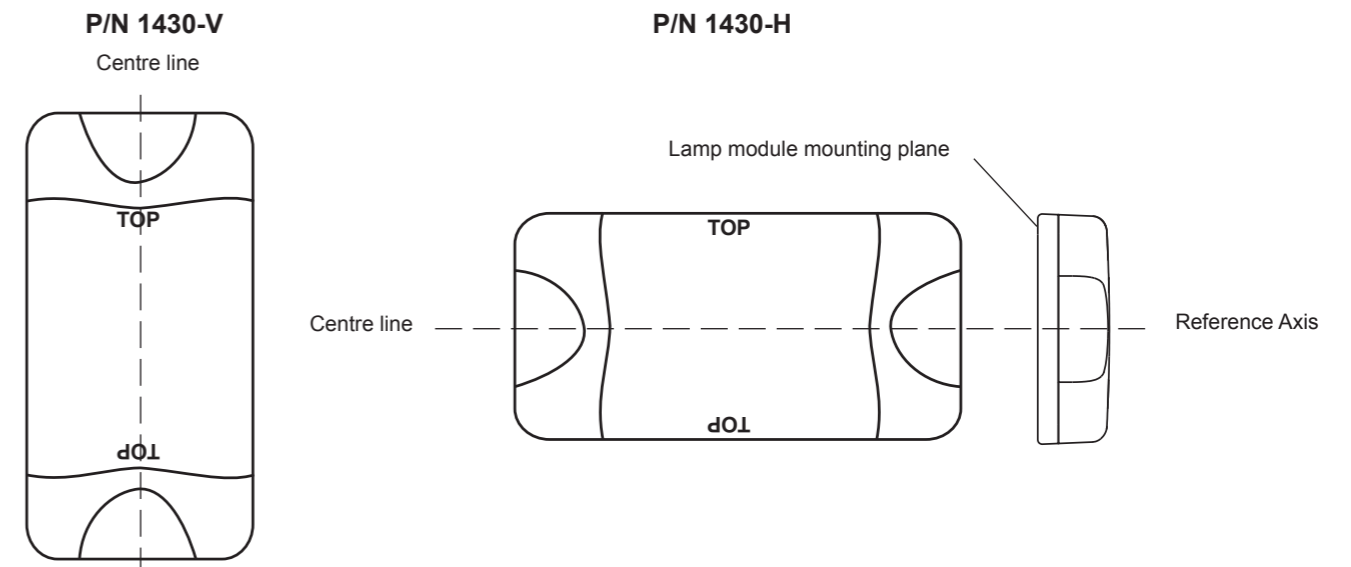
**DuraLED® LED REVERSING LAMP
Multivolt 9 - 33 volts**

Lens Marking and ADR 13/00 Installation Requirements

This lamp module, identified by lens marking HNZ 9060, with clear lens was manufactured to comply with ADR 1/00 Reversing Lamp.

- A tolerance of +/-3 degrees applies on all mounting details.
- Lamp module mounting plane must be vertical to the ground
- Lamp module reference axis must be parallel to the vehicle longitudinal axis
- Lamp module centre line must be horizontal (P/N 1430-H) or vertical (P/N 1430-V) to the ground
(Please note the "TOP" engraving on the outer surface of the lens)
- Lamp module must be visible from 45° inboard and 45° outboard, as well as from 10° above to 5° below the horizontal axis

Notes: Please refer to ADR 13/00 for more details.



LENS IDENTIFICATION NUMBER: HNZ 9060

CATALOGUE NUMBER	ENGINEERING NUMBER	CRN NUMBER	COMPLIANCE NUMBER	ADR 51/00 GLOBE	ADR APPLICABLE
1430-H 1430-V	2ZR 959 070-50 2ZR 959 070-55	36417 36418	8-1430H-17 8-1430V-17	N/A LED	ADR 1/00
AMENDMENTS				ADR COMPLIANCE VERIFIED 	ISSUE DATE:
09/2006	09/2009		05/2006		
			959 150-10		

HELLA-New Zealand Limited, Auckland



Installation

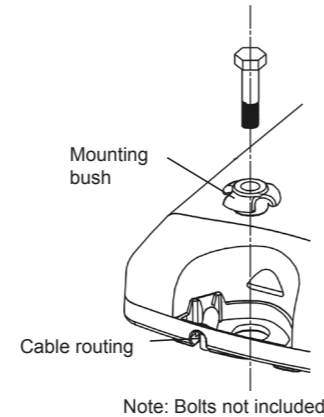
Screw Cap Removal

Carefully insert a small flat blade screwdriver between the cap and the lens and pull towards the lens, the cap will clip off.

To install the cap push in by hand until the top is flush with the lens.

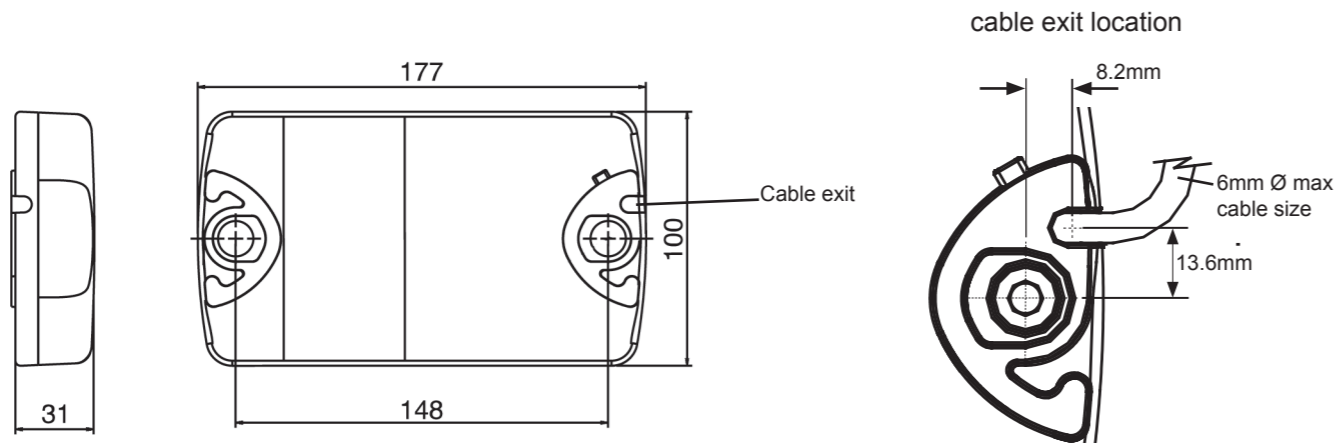
Surface Mounting

- Drill two holes up to 6.5mm Ø at 148mm centres.
- 6mm Ø screws or bolts are recommended to mount the lamp using the mounting bushes provided.
- Lamp should be mounted on a flat surface.
- If passing the cable through a hole, ensure there are no sharp edges to cut or chafe the cable.
- Alternatively, cable can be routed through the end of the base.
- Connect cable as per chart below.
- Clip the screw caps on securely until flush with the lamp surface



Note: When mounting lamp units side by side allow a gap of 5mm to ensure screw cap removal.

General Dimensions (in millimetres)



Wiring Colour Coding

Note: Lamp is polarity conscious. The reversal of the polarity will not damage this product but will inhibit its function.

Colour	Connect to	Power Consumption
White	Earth (-)	-
Yellow	Reverse (+)	4 watts

NB: Lamp must be protected by a fuse rated at 5 amperes maximum.

Important Notes for the Installer and Vehicle Owner



Introduction

Multivolt LED signal and marker lamps offer many advantages over conventional bulb lamps. Significantly reduced power consumption, ultra long life and high tolerance to shock and vibration make the LED lamps the ideal choice for the commercial transport industry, where the cost of ownership versus the initial purchase price of the product is well understood.

Compatibility to existing electrical systems

It is important for the installer to ascertain the compatibility of the low power consumption LED lamps with the electrical and/or electronic systems of the complete vehicle, including trailers. In most cases the reduced power consumption is beneficial by imposing less demands on the entire electrical system.

For certain functions some electrical systems rely on a set power consumption for monitoring whether, for example, a trailer is connected.

Operation of this lamp using alternating current or modulated direct voltage will cause premature light failure. HELLA recommends connecting ADR or ECE certified Multivolt LED signal and marker lamps to a continuous (unmodulated) 12V or 24V power supply to ensure safe light operation.

Electromagnetic Compatibility (EMC)

Multivolt LED lamps are electronic devices. The electrical circuits contain components that suppress possible interference, both emission as well as susceptibility, to the technical requirements for the application of the Regulatory Compliance Mark (RCM).

To avoid false signals or interference, it is recommended practice that the installer always ascertain that a good earth is provided to potentially sensitive equipment such as the ECU's of the ABS, TCS, or Tachographs etc. If this cannot be assured, a direct earth path should be provided.

Protection against damage due to voltage spikes

This Multivolt LED lamp is protected against damage from positive voltage spikes caused by events such as load dump conditions up to severity level 3 of ISO 7637-2 and contains a Transient Voltage Suppressor (TVS) designed to withstand a pulse of up to 5000 Watts.

The lamp is protected against reverse polarity connection and negative voltage spikes of up to 1000 volts.

Warranty Statement

Congratulations! The product you have selected comes from HELLA - one of the world's leading manufacturers of lighting products. The product comes with a Lifetime Warranty covering faults in materials, components or workmanship.

In the unlikely event that you should experience a confirmed warranty related problem with your purchase, HELLA will, at its discretion, either repair or replace the product or refund the purchase price.

Warranty services may be obtained by returning the product within the warranty period to the HELLA Dealer where the product was originally purchased. This warranty is in addition to and does not preclude any other rights or remedies available to the consumer under any local legislation related to the provision of goods or services.

Our goods come with guarantees that cannot be excluded under the Australian Consumer Law. You are entitled to a replacement or refund for a major failure and for compensation for any other reasonably foreseeable loss or damage. You are also entitled to have the goods repaired or replaced if the goods fail to be of acceptable quality and the failure does not amount to a major failure.

Lifetime means the economic life of the vehicle these products were first installed on.

This warranty does not cover:

- 1.) Claim/s as a result of normal wear and tear or of any modifications, alterations non-compliance of assembly, service and operating instructions and/or any unfit or improper use.
- 2.) Any expenses incurred in the process of making the claim.

Note: For lamps sold in Australia, warranty services are provided by HELLA Australia Pty. Ltd., 4 Hargrave Place, P.O. Box 89, Mentone, Victoria, 3194 Australia
Customer Service 1800 061 729 email: custservice@hella.com https://www.hella.com/hella-au/assets/media_global/IAM_Statement_of_Warranty.pdf

For general comments about HELLA's products please contact us on E-mail at: techfeedback@hella.co.nz