



INSTRUCTION SHEET
for: **2BA 980 888-xxx / 2168**

APPLICATION AND MOUNTING INSTRUCTIONS

LED REAR DIRECTION INDICATOR LAMP

2BA 980 888-0xx / 2168: 12V DC Only
2BA 980 888-2xx / 2168-24V: 24V DC Only

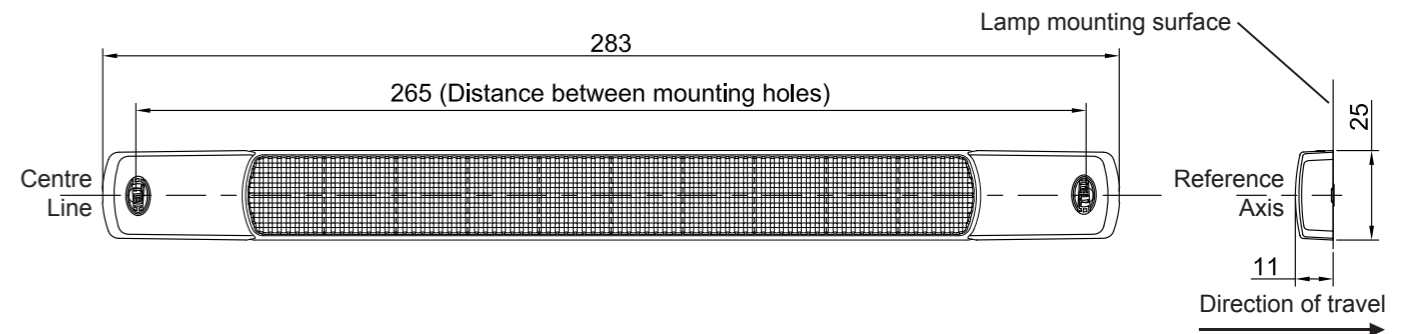
Lens Marking and Installation Requirements

This Rear Direction Indicator Lamp identified by lens marking (E24) 5891 and the HELLA logo was manufactured to comply with:

ECE Regulation No. 6 for Rear Direction Indicator Lamps (Category 2a)

- A tolerance of +/-3° applies on all mounting details.
- Lamp module mounting surface must be vertical to the ground and facing to the rear.
- Lamp module reference axis must be parallel to the vehicle longitudinal axis.
- Lamp must be visible from 45° inboard and 80° outboard, as well as from 15° above and below the horizontal axis.
- Two lamp modules are required per vehicle.
- Lamp modules must not be mounted less than 350 mm and more than 1500 mm above the ground.
- Lamp modules must be mounted within 400 mm of the widest point of the vehicle and no closer than 600 mm together.
- Lamp is approved to be mounted with an allowable rotation of 360° (see diagram over page).

Note: Please refer to ECE Regulation No. 48 for more details.



LENS IDENTIFICATION NUMBER: 0880 H

Product Contents

Description	2BA 980 888-0xx 2168	2BA 980 888-2xx 2168-24V
LED Rear Direction Indicator Lamp with 2.5 m cable	x1	x1
Screw Cap	x2	x2
Mounting Screw	x2	x2
Application and Mounting Instructions	x1	x1

Hella-New Zealand Limited, Auckland



HELLA KG&A Hueck & Co.

Technical description
Technische Beschreibung

Type: **2BA 980 888-AB**
Typ:

L-DL-FSCT Ke
31 485
28.01.2015
Page 1 / 1
Seite 1 / 1

Function(s): Rear Direction Indicator Cat. 2a for Automobile
Beitragte Funktion(en): Hinterer Fahrtrichtungsanzeiger Kat. 2a für Kraftfahrzeuge
Shape of device: Rectangular, rounded
Form des Gerätes: Rechteckig, abgerundet
Remark: For left- or right hand flush- or surface mounting
Bemerkung: Für links- oder rechtsselligen Ein- oder Aufbau

Description of the lens(es):
Beschreibung der Abschluss-Scheibe(n):

Function / Funktion	Material / Material	Colour / Farbe	Optical system / Optisches System	Light source / Lichtquelle
Rear Direction Indicator / Hinterer Fahrtrichtungsanzeiger	Plastic / Kunststoff	Colourless / Gasklar	Outside - Pillow optic / Aussen: Kissenoptik	10 LEDs
			Inside: Fresnel optic / Innen: Fresneloptik	

* If one LED fails, than the lamp will turn off.
Beim Ausfall einer LED wird die Leuchte abgeschaltet.

Technical features:
Technische Merkmale:

Backplate, material: / Grundplatte, Material:	Plastic (PC, PMMA, ABS, ASA, PA ...)
Backplate, material: / Grundplatte, Material:	Kunststoff (PC, PMMA, ABS, ASA, PA ...)
Backplate, material: / Grundplatte, Material:	Untreated / Unbehandelt
Gasket between housing and outer lens: / Abdichtung zwischen Gehäuse und Lichtscheibe:	Fully sealed / Vollständig abgedichtet
Gasket between housing and car body: / Abdichtung zwischen Gehäuse und Karosserie:	--
Fastening the device to the automobile: / Befestigungsart der Leuchte an die Karosserie:	With two screws / Mit zwei Schrauben



HELLA KG&A Hueck & Co.

Mounting instruction
Anbauanweisung

Type: **2BA 980 888-AB**
Typ:

L-DL-FSCT Ke
31 485
28.01.2015
Page 1 / 4
Seite 1 / 4

Belongs to approval no.: E24 5891
Gehört zu Gen.-Nr.: E24 5891
Hear Direction Indicator Cat. 2a for Automobile
Hinterer Fahrtrichtungsanzeiger Kat.2a für Kraftfahrzeuge

Light source(s): 10 LEDs
Lichtquelle(n): 10 LEDs

Test voltage: 13.5 V or / oder 28.0 V
Prüfspannung: 13.5 V or / oder 28.0 V

Nominal voltage: 12 V or / oder 24 V
Nennspannung: 12 V or / oder 24 V

Nominal wattage: 3 W
Nennleistung: 3 W

☆ = Centre of reference in accordance with the ECE-Regulation-No. 6.
Bezugspunkt nach der ECE-Regelung-Nr. 6.

☆ = Centre of reference for the definition for illuminating surface in accordance with the Council Directive 76/756 EEC or ECE-Regulation No. 48 (see Annex A).
Bezugspunkt zur Bestimmung der Grenzen der leuchtenden Fläche nach 76/756 EWG bzw. ECE-Regelung Nr. 48.
Markierung s. auf der Abschluss-Scheibe. Merks. s. Anlage A.

Axis of reference: Parallel to the car centre line and parallel to the road.
Bezugsachse: Parallel zur Fahrzeuglängsachse und parallel zur Fahrbahn.

For left- or right hand flush- or surface mounting.
Für links- oder rechtsselligen Ein- oder Aufbau.

Permissible rotation around the reference axis: 360° (α = 0° + 360°).
Zulässige Drehung um die Bezugsachse: 360° (α = 0° + 360°).

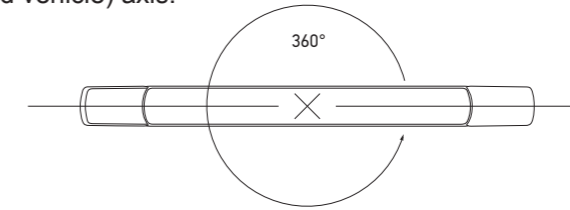


INSTRUCTION SHEET

for: **2BA 980 888-xxx / 2168**

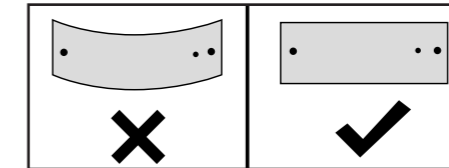
Mounting Tolerance

360° rotation around lamp (and vehicle) axis.



Mounting Instructions

- Lamp must be mounted on a flat surface with no curvature.



- Drill two 3 mm Ø mounting holes at 265 mm centres through the mounting surface to allow fitment of the lamp. See previous page for correct positioning.
- If passing the cable through a hole, ensure there are no sharp edges to cut or chafe the cable. Alternatively, the cable can be routed through the end of the screw cap.
- Connect the wires as per the table below and test that the lamp functions correctly.
- Using the mounting screws tighten the lamp to the mounting surface (Maximum torque 1.5Nm).
- Fit screw caps.

Note: Do not overtighten the mounting screws in the plastic lens.
If it is necessary to remove the screw caps, lever them out with a small flat head screw driver.

Wiring Instructions

- Lamp is polarity conscious. The reversal of the polarity will not damage this product but will inhibit its function.
- HELLA recommends wire connections be soldered, and heat shrink tubing applied to seal the joint.

Wire Colour	Connect to	Power Consumption
Black	Earth (-)	-
Red	Rear Direction Indicator (+)	3 watts

Note: Lamp must be protected by a fuse rated at 3 amperes maximum.

Compatibility to existing electrical systems

It is important for the installer to ascertain the compatibility of the low power consumption LED lamps with the electrical and/or electronic systems of the complete vehicle, including trailers. In most cases the reduced power consumption is beneficial by imposing less demands on the entire electrical system.

For certain functions some electrical systems rely on a set power consumption for monitoring whether, for example, a trailer is connected.

Operation of this lamp using alternating current or modulated direct voltage will cause premature light failure. HELLA recommends connecting ADR or ECE certified LED signal and marker lamps to a continuous (unmodulated) 12V or 24V power supply to ensure safe light operation.

FIT AND FORGET - BY DESIGN

Congratulations, the product you have selected comes from **HELLA** - a world leader in LED lighting design.

Following the launch of the first LED automotive signal lamps in 1990, **HELLA** Design and Innovation continues to set new standards. **HELLA** innovative solutions have been incorporated into millions of lamps, engineered and tested to the most stringent standards, to suit the most demanding environmental conditions.

The cornerstone to the success of our products is our no compromise **Fit and Forget - by Design** philosophy which is incorporated into every step of the product life cycle.

In a world consuming finite resources at an ever faster rate, **Fit and Forget - by Design** is the right environmental choice that also makes perfect economic sense to customers that consider the total life cycle Cost of Ownership.

For general comments about Hella's products please contact us on E-mail at techfeedback@hella.co.nz



Mounting instruction

Anbauanweisung

HELLA KG&A Hueck & Co.

Belongs to approval no.: E24 5891

Gehört zu Gen.-Nr.:

Rear Direction Indicator Cat. 2a for Automobile
Hinterer Fahrtrichtungsanzeiger Kat.2a für Kraftfahrzeuge

Type: 2BA 980 888-AB

Page 2 / 4

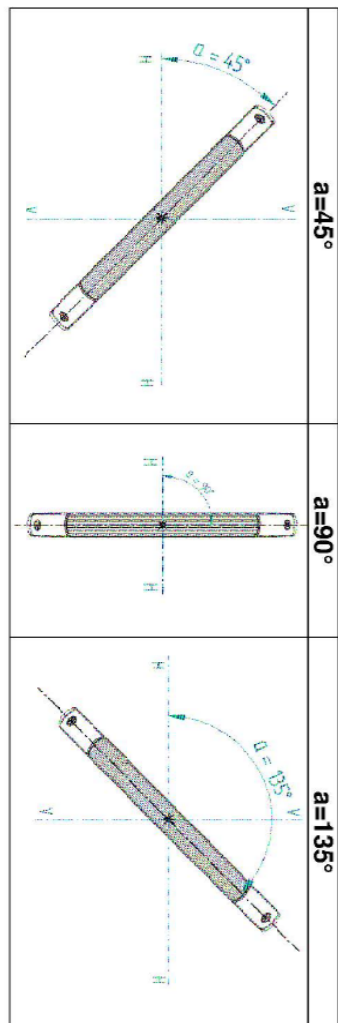
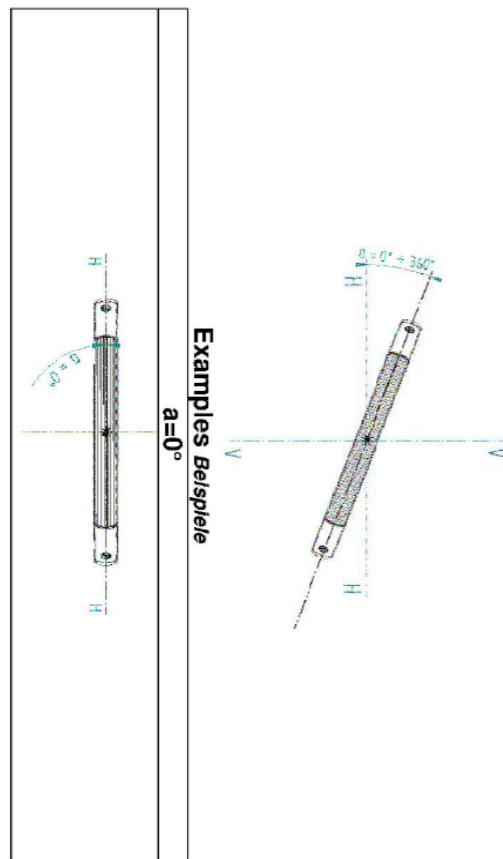
L-DL-FSCT Ke

31 485

28.01.2015

Seite 2 / 4

Permissible installation angles for a = 0 +360°
(rotation only within the same vertical plane around * possible)
Anbau zulässig für Installationswinkel a = 0° + 360° Drehung um * nur innerhalb der gleichen vertikalen Ebene zulässig



Mounting instruction

Anbauanweisung

HELLA KG&A Hueck & Co.

Belongs to approval no.: E24 5891

Gehört zu Gen.-Nr.:

Rear Direction Indicator Cat. 2a for Automobile
Hinterer Fahrtrichtungsanzeiger Kat.2a für Kraftfahrzeuge

Type: 2BA 980 888-AB

Page 3 / 4

L-DL-FSCT Ke

31 485

28.01.2015

Seite 3 / 4

Front View
Ansicht von vorn

