



LED Task Lamps

900 Lumen Multipurpose Task Lamps

Mounting Instructions

Please retain for future reference

WARNING!

Only use the included wiring to connect the LED Task Lamps. This Hella LED Task Lamp has a unique circuitry that can easily be damaged with wiring other than the included loom.

PACKAGE CONTENTS

1. 900 Lumen LED Task Lamp
2. Wiring loom
3. Universal stud mount
4. Horizontal link connector, 2 Screws and 2 Washers
5. Allen key wrench

REQUIRED TOOLS AND PARTS

1. 8.5mm Drill bit
2. 10mm Socket and Ratchet
3. 10mm Open end wrench
4. 2Pin DT Connector or soldering iron, solder and heat shrink
5. Crimping Tool
6. Wire stripper
7. Allen key (included)

MOUNTING INSTRUCTIONS

1. Drill a 8.5mm hole in the desired mounting location. **Note:** The centre of the hole will be the exact centre of the light. Make sure to measure the location of your hole before drilling. If you are linking multiple pods together using the included Link Connector, carefully read linking instructions before selecting placement of mounts.
 2. Insert stud mount through the 8.5mm hole and tighten the nylock nut with a 10mm socket or wrench to a maximum torque of 6Nm. **Note:** Do not use air impact tools as they will damage the stainless steel threads.
 3. Remove adjustment set screws if installed on adjustment bracket. Tighten the adjustment unlock snug against the bracket and aim the light to the desired position. After the light is aimed, tighten the adjustment bolt and nylock to a maximum torque of 6Nm.
- If desired, insert and hand tighten adjustment set screws for use in high vibration environments.

911.354-75

WIRING INSTRUCTIONS

The 900 Lumen LED Task Lamp draws 0.65A at 12V. A relay harness is always recommended in vehicle applications running more than 5 Task Lamps. A maximum of 25 Task Lamps per 30A 12V DC relay is recommended. If the vehicle does not have a battery, one will be required. Each battery pack can power a maximum of 2 Task Lamps and will cut the life span of the battery in half. For stationary applications, 9-64V DC is required to operate the LED Task Lamps.

1. Before making any connections, unplug all of the task lamps to avoid damaging the internal electronics
2. The wiring consists of a red and black wire. Red is positive (+) input; black is negative (-) wire input.
3. The Task Lamp wiring are pre-stripped for easy crimping.
4. After connecting the Task Lamp, heat shrink each individual connection to avoid shorting of wires and exposure of the copper to the elements.
5. With all of the connections made and insulated with heat shrink the Task Lamp can be plugged in and tested.

HELLA PART NUMBER:

HM1590WB Wide Beam LED Task Lamp - 9-64V DC

Please turn over for additional information

www.hellamining.com

Customer Service: Free Call 1800 061 729

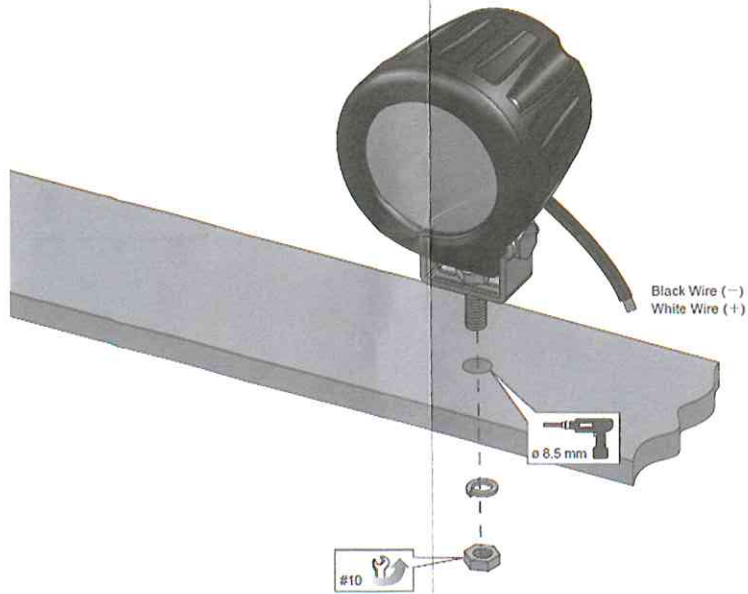
custservice@hella.com



LED Task Lamps

900 Lumen Multipurpose Task Lamps

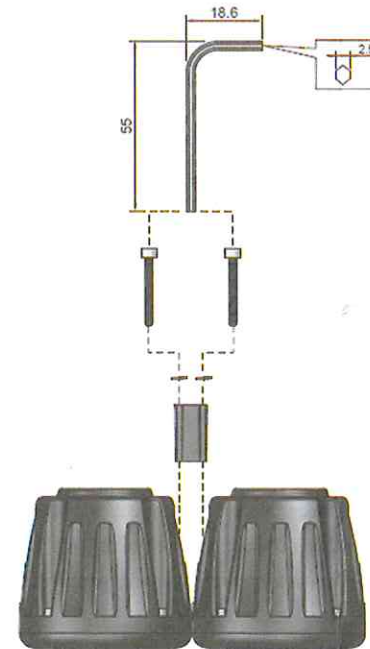
MOUNTING INSTRUCTIONS



Mounting Instructions

Please retain for future reference

LED TASK LAMP MULTILINK SYSTEM



911.354-75

www.hellamining.com
Customer Service: Free Call 1800 061 729
custservice@hella.com