



PRODUCT NEWS

HELLA R120S Work Lamp

- With practical handle for optimal positioning of the Work Lamp
- Swivel base mounting for greater flexibility
- Switch allows the R120S to be operated from outside the vehicle
- Optimal illumination for operations around the vehicle

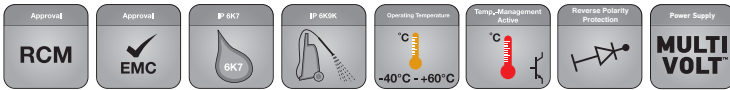
PRODUCT FEATURES

The R120S LED Work Lamp is designed with a moulded handle and swivel base mounting bracket, which enables the lamp to be rotated in almost any direction. It also has a convenient on-off switch at the rear of the lamp.

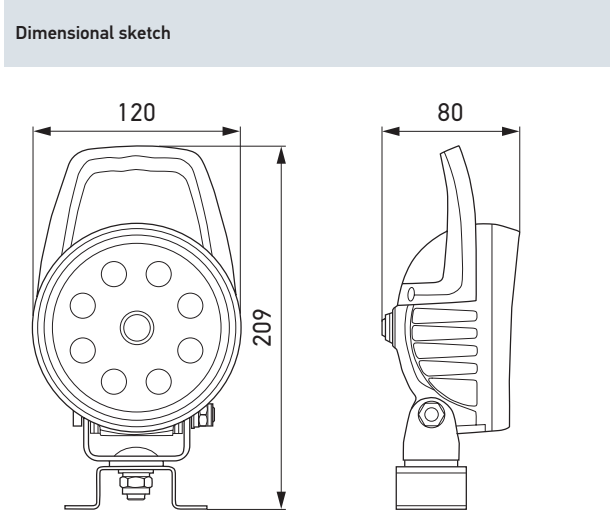
A colour temperature of 6,500 kelvin provides a very similar light to daylight.

The electronics of the R120S LED Work Lamp are multi-volt compatible and can therefore be operated with a 12 or 24-volt power supply. The integrated electronics protect the device in the event of polarity inversion and guarantee constant brightness.

TECHNICAL DETAILS



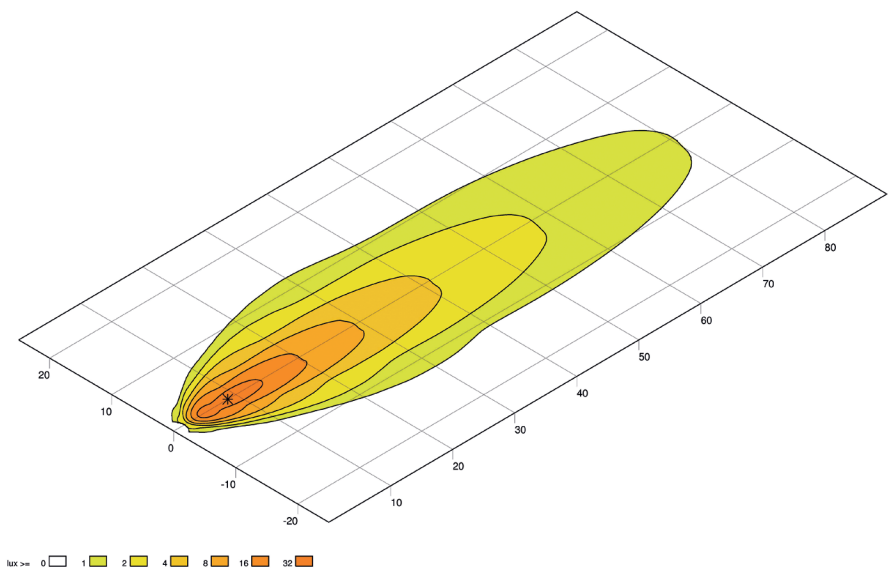
Technical data	
Rated voltage	10-30 V DC
Operating voltage	12 V / 24 V
Current consumption	1.9A (12V) / 1.0A (24V)
Power Consumption	23 W
Light function	Close range
Light source	9 high-performance LED
Light output	1,500 lm
Colour temperature	6,500 Kelvin
Housing	Aluminium die cast
Weight	1,160 g
Temperature range	-40 °C to +60 °C
Protection class	IP 6K7, IP 6K9K
EMC protection	ECE R-10,
Mounting	Upright or Pendant
Connection	3,000 mm wire harness



RANGE OVERVIEW

Illumination	Part Number	Packaging Unit
Close Range Illumination	1G2 996 220-001	1

LIGHT DISTRIBUTION



© HELLA Australia 2021. Subject to technical and price modifications.