

Message Implementation Documentation

Hella EDIFACT INVRPT

based on

INVRPT

Inventory report message

UN D.97A S3

- **Structure Chart**
- **Branching Diagram**
- **Segment Details**

Version: 97
Variant: A
Issue date: 28.08.2007

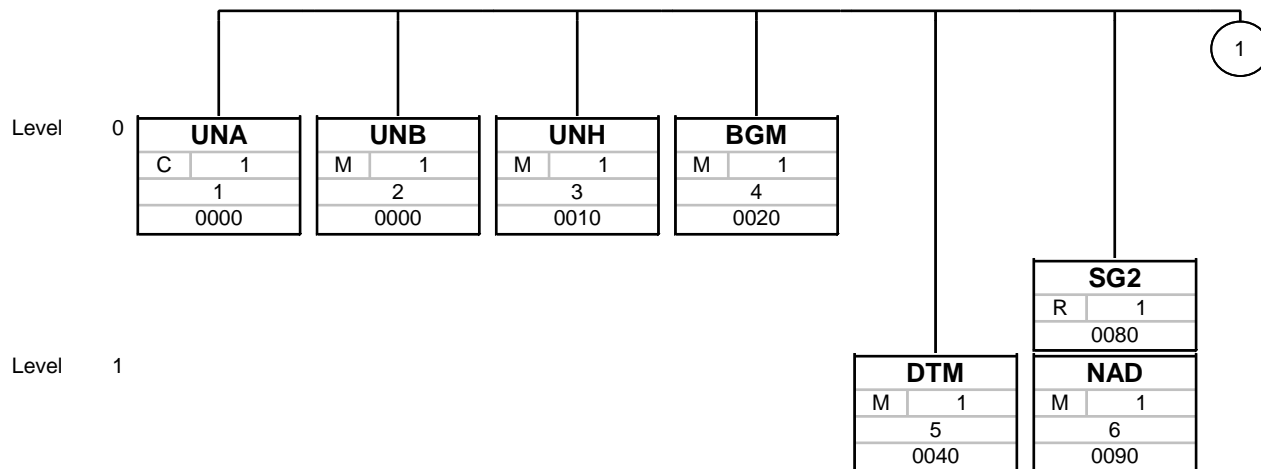
Structure / Table of Contents

Counter	No	Tag	St	MaxOcc	Level	Content	
	0000	1	UNA	C	1	0	SERVICE STRING ADVICE
	0000	2	UNB	M	1	0	INTERCHANGE HEADER
	0010	3	UNH	M	1	0	MESSAGE HEADER
	0020	4	BGM	M	1	0	BEGINNING OF MESSAGE
	0040	5	DTM	M	1	1	DATE/TIME/PERIOD
	0080		SG2	R	1	1	NAD
	0090	6	NAD	M	1	1	NAME AND ADDRESS
	0080		SG2	C	1	1	NAD
	0090	7	NAD	M	1	1	NAME AND ADDRESS
	0290		SG9	R	9999	1	LIN-SG11
	0300	8	LIN	M	1	1	LINE ITEM
	0420		SG11	R	1	2	INV-QTY-LOC-LOC-SG12-SG14
	0430	9	INV	M	1	2	INVENTORY MANAGEMENT RELATED DETAILS
	0440	10	QTY	M	1	3	QUANTITY
	0460	11	LOC	D	5	3	PLACE/LOCATION IDENTIFICATION
	0460	12	LOC	R	5	3	PLACE/LOCATION IDENTIFICATION
	0490		SG12	R	1	3	NAD
	0500	13	NAD	M	1	3	NAME AND ADDRESS
	0560		SG14	D	1	3	RFF
	0570	14	RFF	M	1	3	REFERENCE
	0700	15	UNT	M	1	0	MESSAGE TRAILER
	0000	16	UNZ	M	1	0	INTERCHANGE TRAILER

Counter = Counter of segment/group within the standard
 No = Consecutive segment number
 MaxOcc = Maximum occurrence of the segment/group

St = Status
 EDIFACT: M=Mandatory, C=Conditional
 User specific: R=Required, O=Optional, D=Dependent,
 A=Advised, N=Not used

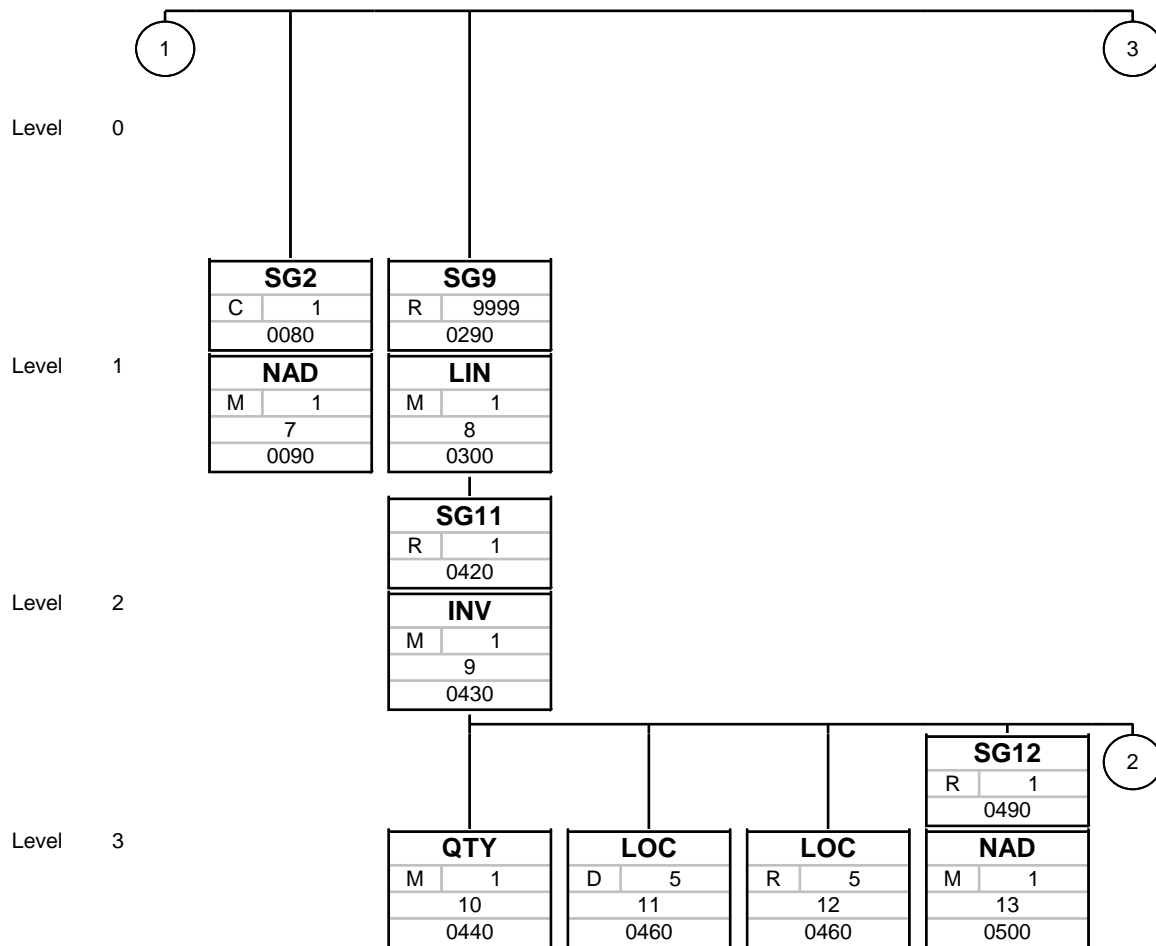
Branching Diagram of Used Segments/Groups



Tag
St MaxOcc
No
Counter

Tag = Segment/Group Tag
 St = Status (M=Mandatory, C=Conditional, R=Required, O=Optional, A=Advised, D=Dependent)
 MaxOcc = Maximum occurrence of the segment/group
 No = Consecutive segment number
 Counter = Counter of segment/group within the standard

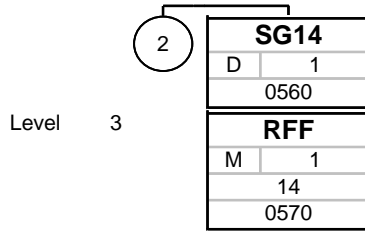
Branching Diagram of Used Segments/Groups



Tag
St MaxOcc
No
Counter

Tag = Segment/Group Tag
 St = Status (M=Mandatory, C=Conditional, R=Required, O=Optional, A=Advised, D=Dependent)
 MaxOcc = Maximum occurrence of the segment/group
 No = Consecutive segment number
 Counter = Counter of segment/group within the standard

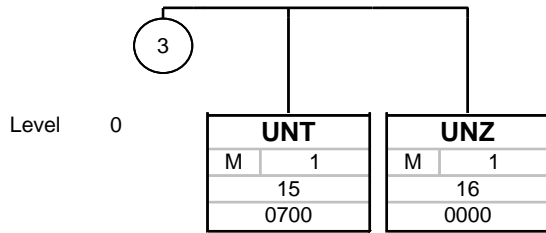
Branching Diagram of Used Segments/Groups



Tag
St MaxOcc
No
Counter

Tag = Segment/Group Tag
 St = Status (M=Mandatory, C=Conditional, R=Required, O=Optional, A=Advised, D=Dependent)
 MaxOcc = Maximum occurrence of the segment/group
 No = Consecutive segment number
 Counter = Counter of segment/group within the standard

Branching Diagram of Used Segments/Groups



Tag
St MaxOcc
No
Counter

Tag = Segment/Group Tag
 St = Status (M=Mandatory, C=Conditional, R=Required, O=Optional, A=Advised, D=Dependent)
 MaxOcc = Maximum occurrence of the segment/group
 No = Consecutive segment number
 Counter = Counter of segment/group within the standard

Segments

Counter	No	Tag	St	MaxOcc	Level	Name
0000	1	UNA	C	1	0	SERVICE STRING ADVICE

Standard			Implementation	
Tag	Name	St Format	St Format	Usage / Remark
UNA				
UNA1	Component data element separator	M an1	M an1	default (A): colon
UNA2	Data element separator	M an1	M an1	default (A): plus sign
UNA3	Decimal notation	M an1	M an1	default (A): Comma or full stop
UNA4	Release indicator	M an1	M an1	default (A): question mark; if not used, insert space character
UNA5	Reserved for future use	M an1	M an1	insert space character
UNA6	Segment terminator	M an1	M an1	default (A): Apostrophe

Remark:

Example:

UNA : + . ? ' '

No = Consecutive segment number
 MaxOcc = Maximum occurrence of the segment/group
 Counter = Counter of segment/group within the standard

St = Status
 EDIFACT: M=Mandatory, C=Conditional
 User specific: R=Required, O=Optional, D=Dependent,
 A=Advised, N=Not used

Segments

Counter	No	Tag	St	MaxOcc	Level	Name
0000	2	UNB	M	1	0	INTERCHANGE HEADER

		Standard	Implementation	
Tag	Name	St Format	St Format	Usage / Remark
UNB				
S001	SYNTAX IDENTIFIER	M	M	
0001	Syntax identifier	M a4	M a4	UNOA UN/ECE level A
0002	Syntax version number	M n1	M n1	2 Version 2
S002	INTERCHANGE SENDER	M	M	
0004	Sender identification	M an..35	M an..35	
0007	Partner identification code qualifier	C an..4	C an..4	
0008	Address for reverse routing	C an..14	C an..14	
S003	INTERCHANGE RECIPIENT	M	M	
0010	Recipient identification	M an..35	M an..35	
0007	Partner identification code qualifier	C an..4	C an..4	
0014	Routing address	C an..14	C an..14	
S004	DATE/TIME OF PREPARATION	M	M	
0017	Date of preparation	M n6	M n6	
0019	Time of preparation	M n4	M n4	
0020	Interchange control reference	M an..14	M an..14	Unique reference assigned by the sender to an interchange.
S005	RECIPIENT'S REFERENCE PASSWORD	C	C	
0022	Recipient's reference/password	M an..14	M an..14	
0025	Recipient's reference/password qualifier	C an2	C an2	
0026	Application reference	C an..14	C an..14	BM Identification of the application area assigned by the sender, to which the messages in the interchange relate e.g. the message identifier if all the messages in the interchange are of the same type.
0029	Processing priority code	C a1	C a1	Code determined by the sender requesting processing priority for the interchange.
0031	Acknowledgement request	C n1	C n1	Code determined by the sender for acknowledgement of the interchange.
0032	Communications agreement ID	C an..35	C an..35	Identification by name or code of the type of agreement under which the interchange takes place.
0035	Test indicator	C n1	C n1	Indication that the interchange is a test.

Remark:

Example:

UNB+UNOA:2+00013000023HELLA-KG-EDIP+RECIEVER+060508:0911+2742++BM'

No = Consecutive segment number
 MaxOcc = Maximum occurrence of the segment/group
 Counter = Counter of segment/group within the standard

St = Status
 EDIFACT: M=Mandatory, C=Conditional
 User specific: R=Required, O=Optional, D=Dependent,
 A=Advised, N=Not used

Segments

Counter	No	Tag	St	MaxOcc	Level	Name
0010	3	UNH	M	1	0	MESSAGE HEADER

Standard			Implementation	
Tag	Name	St Format	St Format	Usage / Remark
UNH				
0062	Message reference number	M an..14	M an..14	Unique message reference assigned by the sender.
S009	MESSAGE IDENTIFIER	M	M	
0065	Message type identifier	M an..6	M an..6	INVRPT Inventory report message
0052	Message type version number	M an..3	M an..3	D Draft version/UN/EDIFACT Directory
0054	Message type release number	M an..3	M an..3	97A Release 1997 - A
0051	Controlling agency	M an..2	M an..2	UN UN/ECE/TRADE/WP.4

Remark:

Example:

UNH+1+INVRPT:D:97A:UN'

No = Consecutive segment number
 MaxOcc = Maximum occurrence of the segment/group
 Counter = Counter of segment/group within the standard

St = Status
 EDIFACT: M=Mandatory, C=Conditional
 User specific: R=Required, O=Optional, D=Dependent,
 A=Advised, N=Not used

Segments

Counter	No	Tag	St	MaxOcc	Level	Name
0020	4	BGM	M	1	0	BEGINNING OF MESSAGE

Standard			Implementation	
Tag	Name	St Format	St Format	Usage / Remark
BGM				
C002	DOCUMENT/MESSAGE NAME	C	R	
1001	Document/message name, coded	C an..3	R an..3	78 Inventory movement advice 77 Status report
1131	Code list qualifier	C an..3	N	Not used
3055	Code list responsible agency, coded	C an..3	N	Not used
1000	Document/message name	C an..35	R an..35	SM Stockmovement
C106 DOCUMENT/MESSAGE IDENTIFICATION				
1004	Document/message number	C an..35	R an..35	Unique consumption number, reference in self billing invoice RFF+UCN segment.
1225	Message function, coded	C an..3	R an..3	9 Original Code indicating the function of the message.

Remark:

Example:

BGM+78::SM+12345+9'

No = Consecutive segment number
 MaxOcc = Maximum occurrence of the segment/group
 Counter = Counter of segment/group within the standard

St = Status
 EDIFACT: M=Mandatory, C=Conditional
 User specific: R=Required, O=Optional, D=Dependent,
 A=Advised, N=Not used

Segments

Counter	No	Tag	St	MaxOcc	Level	Name
0040	5	DTM	M	1	1	DATE/TIME/PERIOD

Standard			Implementation	
Tag	Name	St Format	St Format	Usage / Remark
DTM				
C507	DATE/TIME/PERIOD	M	M	
2005	Date/time/period qualifier	M an..3	M an..3	137 Document/message date/time
2380	Date/time/period	C an..35	R an..35	
2379	Date/time/period format qualifier	C an..3	R an..3	102 CCYYMMDD 203 CCYYMMDDHHMM

Remark:
Document date = reception date or consumption date

Example:
DTM+137:20060508:102'

No = Consecutive segment number
MaxOcc = Maximum occurrence of the segment/group
Counter = Counter of segment/group within the standard

St = Status
EDIFACT: M=Mandatory, C=Conditional
User specific: R=Required, O=Optional, D=Dependent,
A=Advised, N=Not used

Segments

Counter	No	Tag	St	MaxOcc	Level	Name
0080		SG2	R	1	1	NAD
0090	6	NAD	M	1	1	NAME AND ADDRESS

		Standard	Implementation	
Tag	Name	St Format	St Format	Usage / Remark
NAD				
3035	Party qualifier	M an..3	M an..3	SU Supplier Code giving specific meaning to a party.
C082	PARTY IDENTIFICATION DETAILS	C	R	
3039	Party id. identification	M an..35	M an..35	
1131	Code list qualifier	C an..3	N	Not used
3055	Code list responsible agency, coded	C an..3	R an..3	92 Assigned by buyer or buyer's agent
C058	NAME AND ADDRESS	C	N	Not used
3124	Name and address line	M an..35	N	Not used
C080	PARTY NAME	C	N	
3036	Party name	M an..35	M an..35	
C059	STREET	C	N	Not used
3042	Street and number/p.o. box	M an..35	N	Not used
3164	City name	C an..35	N	Name of a city (a town, a village) for addressing purposes. Not used
3229	Country sub-entity identification	C an..9	N	Identification of the name of sub-entities (state, province) defined by appropriate governmental agencies. Note: Use code defined by appropriate national authority. Not used
3251	Postcode identification	C an..9	N	Code defining postal zones or addresses. Note: Use code defined by appropriate national authority. Not used
3207	Country, coded	C an..3	N	Identification of the name of a country or other geographical entity as specified in ISO 3166. Note: Use ISO 3166 two alpha country code. Not used

Remark:

Example:

NAD+SU+228626552:::92'

No = Consecutive segment number
 MaxOcc = Maximum occurrence of the segment/group
 Counter = Counter of segment/group within the standard

St = Status
 EDIFACT: M=Mandatory, C=Conditional
 User specific: R=Required, O=Optional, D=Dependent,
 A=Advised, N=Not used

Segments

Counter	No	Tag	St	MaxOcc	Level	Name
0080		SG2	C	1	1	NAD
0090	7	NAD	M	1	1	NAME AND ADDRESS

Standard			Implementation	
Tag	Name	St Format	St Format	Usage / Remark
NAD				
3035	Party qualifier	M an..3	M an..3	BY Buyer Code giving specific meaning to a party.
C082	PARTY IDENTIFICATION DETAILS	C	R	
3039	Party id. identification	M an..35	M an..35	
1131	Code list qualifier	C an..3	N	Not used
3055	Code list responsible agency, coded	C an..3	R an..3	91 Assigned by seller or seller's agent
C058	NAME AND ADDRESS	C	N	Not used
3124	Name and address line	M an..35	N	Not used
C080	PARTY NAME	C	N	
3036	Party name	M an..35	M an..35	
C059	STREET	C	N	Not used
3042	Street and number/p.o. box	M an..35	N	Not used
3164	City name	C an..35	N	Name of a city (a town, a village) for addressing purposes. Not used
3229	Country sub-entity identification	C an..9	N	Identification of the name of sub-entities (state, province) defined by appropriate governmental agencies. Note: Use code defined by appropriate national authority. Not used
3251	Postcode identification	C an..9	N	Code defining postal zones or addresses. Note: Use code defined by appropriate national authority. Not used
3207	Country, coded	C an..3	N	Identification of the name of a country or other geographical entity as specified in ISO 3166. Note: Use ISO 3166 two alpha country code. Not used

Remark:

Example:

NAD+BY+1234:::91'

No = Consecutive segment number
 MaxOcc = Maximum occurrence of the segment/group
 Counter = Counter of segment/group within the standard

St = Status
 EDIFACT: M=Mandatory, C=Conditional
 User specific: R=Required, O=Optional, D=Dependent,
 A=Advised, N=Not used

Segments

Counter	No	Tag	St	MaxOcc	Level	Name
0290		SG9	R	9999	1	LIN-SG11
0300	8	LIN	M	1	1	LINE ITEM

Standard			Implementation	
Tag	Name	St Format	St Format	Usage / Remark
LIN				
1082	Line item number	C an..6	N	Serial number designating each separate item within a series of articles. Not used
1229	Action request/notification, coded	C an..3	N	Code specifying the action to be taken or already taken. Not used
C212	ITEM NUMBER IDENTIFICATION	C	R	
7140	Item number	C an..35	R an..35	
7143	Item number type, coded	C an..3	R an..3	IN Buyer's item number

Remark:

Example:

LIN+++471.108-15:IN'

No = Consecutive segment number
 MaxOcc = Maximum occurrence of the segment/group
 Counter = Counter of segment/group within the standard

St = Status
 EDIFACT: M=Mandatory, C=Conditional
 User specific: R=Required, O=Optional, D=Dependent,
 A=Advised, N=Not used

Segments

Counter	No	Tag	St	MaxOcc	Level	Name
0420		SG11	R	1	2	INV-QTY-LOC-SG12-SG14
0430	9	INV	M	1	2	INVENTORY MANAGEMENT RELATED DETAILS

		Standard	Implementation	
Tag	Name	St Format	St Format	Usage / Remark
INV				
4501	Inventory movement direction, coded	C an..3	D an..3	1 Movement out of inventory 2 Movement into inventory To specify the direction of inventory movement. This field is not used for inventory status report.
7491	Type of inventory affected, coded	C an..3	R an..3	1 Accepted product inventory To specify the type of inventory which is affected by an inventory movement or expressed in an inventory balance.
4499	Reason for inventory movement, coded	C an..3	D an..3	1 Reception 7 Reversal of previous movement 11 Consumption This field is not used for inventory status report.
4503	Inventory balance method, coded	C an..3	D an..3	1 Book-keeping inventory balance This field is not used for inventory movement advice.

Remark:

Example:

INV+1+1+11'

No = Consecutive segment number
 MaxOcc = Maximum occurrence of the segment/group
 Counter = Counter of segment/group within the standard

St = Status
 EDIFACT: M=Mandatory, C=Conditional
 User specific: R=Required, O=Optional, D=Dependent, A=Advised, N=Not used

Segments

Counter	No	Tag	St	MaxOcc	Level	Name
	0420	SG11	R	1	2	INV-QTY-LOC-SG12-SG14
	0440	10 QTY	M	1	3	QUANTITY

		Standard	Implementation	
Tag	Name	St Format	St Format	Usage / Remark
QTY				
C186	QUANTITY DETAILS	M	M	
6063	Quantity qualifier	M an..3	M an..3	2 Charge 48 Received quantity 17 Quantity on hand
6060	Quantity	M n..15	M n..15	
6411	Measure unit qualifier	C an..3	R an..3	PCE piece

Remark:

Example:

QTY+2:10000:PCE'

No = Consecutive segment number
 MaxOcc = Maximum occurrence of the segment/group
 Counter = Counter of segment/group within the standard

St = Status
 EDIFACT: M=Mandatory, C=Conditional
 User specific: R=Required, O=Optional, D=Dependent,
 A=Advised, N=Not used

Segments

Counter	No	Tag	St	MaxOcc	Level	Name
0420		SG11	R	1	2	INV-QTY-LOC-SG12-SG14
0460	11	LOC	D	5	3	PLACE/LOCATION IDENTIFICATION

Standard			Implementation	
Tag	Name	St Format	St Format	Usage / Remark
LOC				
3227	Place/location qualifier	M an..3	M an..3	11 Place/port of discharge Code identifying the function of a location.
C517	LOCATION IDENTIFICATION	C	C	
3225	Place/location identification	C an..25	C an..25	
1131	Code list qualifier	C an..3	N	Not used
3055	Code list responsible agency, coded	C an..3	C an..3	

Remark:

Example:

LOC+11+1234::92'

No = Consecutive segment number
 MaxOcc = Maximum occurrence of the segment/group
 Counter = Counter of segment/group within the standard

St = Status
 EDIFACT: M=Mandatory, C=Conditional
 User specific: R=Required, O=Optional, D=Dependent,
 A=Advised, N=Not used

Segments

Counter	No	Tag	St	MaxOcc	Level	Name
0420		SG11	R	1	2	INV-QTY-LOC-SG12-SG14
0460	12	LOC	R	5	3	PLACE/LOCATION IDENTIFICATION

		Standard	Implementation	
Tag	Name	St Format	St Format	Usage / Remark
LOC				
3227	Place/location qualifier	M an..3	M an..3	159 Additional internal destination Code identifying the function of a location.
C517	LOCATION IDENTIFICATION	C	C	
3225	Place/location identification	C an..25	C an..25	
1131	Code list qualifier	C an..3	N	Not used
3055	Code list responsible agency, coded	C an..3	C an..3	

Remark:

Example:

LOC+159+1234::92'

No = Consecutive segment number
 MaxOcc = Maximum occurrence of the segment/group
 Counter = Counter of segment/group within the standard

St = Status
 EDIFACT: M=Mandatory, C=Conditional
 User specific: R=Required, O=Optional, D=Dependent,
 A=Advised, N=Not used

Segments

Counter	No	Tag	St	MaxOcc	Level	Name
0490		SG12	R	1	3	NAD
0500	13	NAD	M	1	3	NAME AND ADDRESS

Standard			Implementation	
Tag	Name	St Format	St Format	Usage / Remark
NAD				
3035	Party qualifier	M an..3	M an..3	ST Ship to Code giving specific meaning to a party.
C082	PARTY IDENTIFICATION DETAILS	C	R	
3039	Party id. identification	M an..35	M an..35	
1131	Code list qualifier	C an..3	N	Not used
3055	Code list responsible agency, coded	C an..3	R an..3	92 Assigned by buyer or buyer's agent

Remark:

Example:

NAD+ST+1015:::92'

No = Consecutive segment number
 MaxOcc = Maximum occurrence of the segment/group
 Counter = Counter of segment/group within the standard

St = Status
 EDIFACT: M=Mandatory, C=Conditional
 User specific: R=Required, O=Optional, D=Dependent,
 A=Advised, N=Not used

Segments

Counter	No	Tag	St	MaxOcc	Level	Name
0560		SG14	D	1	3	RFF
This segment group is only used for inbound deliveries.						
0570	14	RFF	M	1	3	REFERENCE

		Standard	Implementation	
Tag	Name	St Format	St Format	Usage / Remark
RFF				
C506	REFERENCE	M	M	
1153	Reference qualifier	M an..3	M an..3	SI SID (Shipper's identifying number for shipment)
1154	Reference number	C an..35	R an..35	

Remark:
Segment group 14 is only used for inbound deliveries.

Example:
RFF+SI:1234567'

No = Consecutive segment number
MaxOcc = Maximum occurrence of the segment/group
Counter = Counter of segment/group within the standard

St = Status
EDIFACT: M=Mandatory, C=Conditional
User specific: R=Required, O=Optional, D=Dependent,
A=Advised, N=Not used

Segments

Counter	No	Tag	St	MaxOcc	Level	Name
0700	15	UNT	M	1	0	MESSAGE TRAILER

Standard			Implementation	
Tag	Name	St Format	St Format	Usage / Remark
UNT				
0074	Number of segments in a message	M n..6	M n..6	Control count of number of segments in a message.
0062	Message reference number	M an..14	M an..14	Unique message reference assigned by the sender.

Remark:

Example:

UNT+11+1'

No = Consecutive segment number
 MaxOcc = Maximum occurrence of the segment/group
 Counter = Counter of segment/group within the standard

St = Status
 EDIFACT: M=Mandatory, C=Conditional
 User specific: R=Required, O=Optional, D=Dependent,
 A=Advised, N=Not used

Segments

Counter	No	Tag	St	MaxOcc	Level	Name
0000	16	UNZ	M	1	0	INTERCHANGE TRAILER

Standard			Implementation	
Tag	Name	St Format	St Format	Usage / Remark
UNZ				
0036	Interchange control count	M n..6	M n..6	Count either of the number of messages or, if used, of the number of functional groups in an interchange.
0020	Interchange control reference	M an..14	M an..14	Unique reference assigned by the sender to an interchange.

Remark:

Example:

UNZ+1+2742'

No = Consecutive segment number
 MaxOcc = Maximum occurrence of the segment/group
 Counter = Counter of segment/group within the standard

St = Status
 EDIFACT: M=Mandatory, C=Conditional
 User specific: R=Required, O=Optional, D=Dependent,
 A=Advised, N=Not used