

Message Implementation Documentation

Hella GLOBAL DELFOR

based on

DELFOR

Delivery schedule message

UN D.04A S3

- **Structure Chart**
- **Branching Diagram**
- **Segment Details**

Version: JAI 1.1
Variant: 2008
Issue date: 02.11.2009

Structure / Table of Contents

Counter	No	Tag	St	MaxOcc	Level	Content
0000	1	UNA	C	1	0	Service string advice
0000	2	UNB	M	1	0	Interchange header
0010	3	UNH	M	1	0	Message header
0020	4	BGM	M	1	0	Beginning of message
0030	5	DTM	M	1	1	Document Issue Date
0080		SG2	O	1	1	Buyer
0090	6	NAD	M	1	1	Buyer's Name and Address
0130		SG4	O	1	2	Information Contact
0140	7	CTA	M	1	2	Information Contact
0150	8	COM	O	5	3	Communication contact
0080		SG2	R	1	1	Seller
0090	9	NAD	M	1	1	Seller's Name and Address
0190		SG6	R	9999	1	Ship-to level
0200	10	GEI	M	1	1	Processing information
0210		SG7	R	1	2	Ship-to
0220	11	NAD	M	1	2	Ship-to
0310		SG10	N	1	3	Purchasing Contact
0320	12	CTA	M	1	3	Purchasing Contact
0330	13	COM	R	5	4	Communication contact
0310		SG10	O	1	3	Schedule Contact
0320	14	CTA	M	1	3	Schedule Contact
0330	15	COM	O	5	4	Communication contact
0370		SG12	R	1	2	Scheduled Article Details
0380	16	LIN	M	1	2	Line item
0390	17	PIA	D	1	3	Additional product id
0400	18	IMD	O	10	3	Item short description
0450	19	LOC	D	1	3	Place of discharge
0450	20	LOC	D	6	3	Internal place of destination
0460	21	DTM	O	6	3	Line item dates
0470	22	FTX	O	5	3	Article text
0470	23	FTX	O	5	3	General information text
0480		SG13	R	1	3	Other reference
0490	24	RFF	M	1	3	Other reference
0480		SG13	D	1	3	Other reference
0490	25	RFF	M	1	3	Other reference
0500	26	DTM	R	2	4	Referenced document's date
0480		SG13	D	1	3	Other reference
0490	27	RFF	M	1	3	Other reference
0500	28	DTM	O	2	4	Referenced document's date

Counter = Counter of segment/group within the standard
 No = Consecutive segment number
 MaxOcc = Maximum occurrence of the segment/group

St = Status
 EDIFACT: M=Mandatory, C=Conditional
 User specific: R=Required, O=Optional, D=Dependent,
 A=Advised, N=Not used

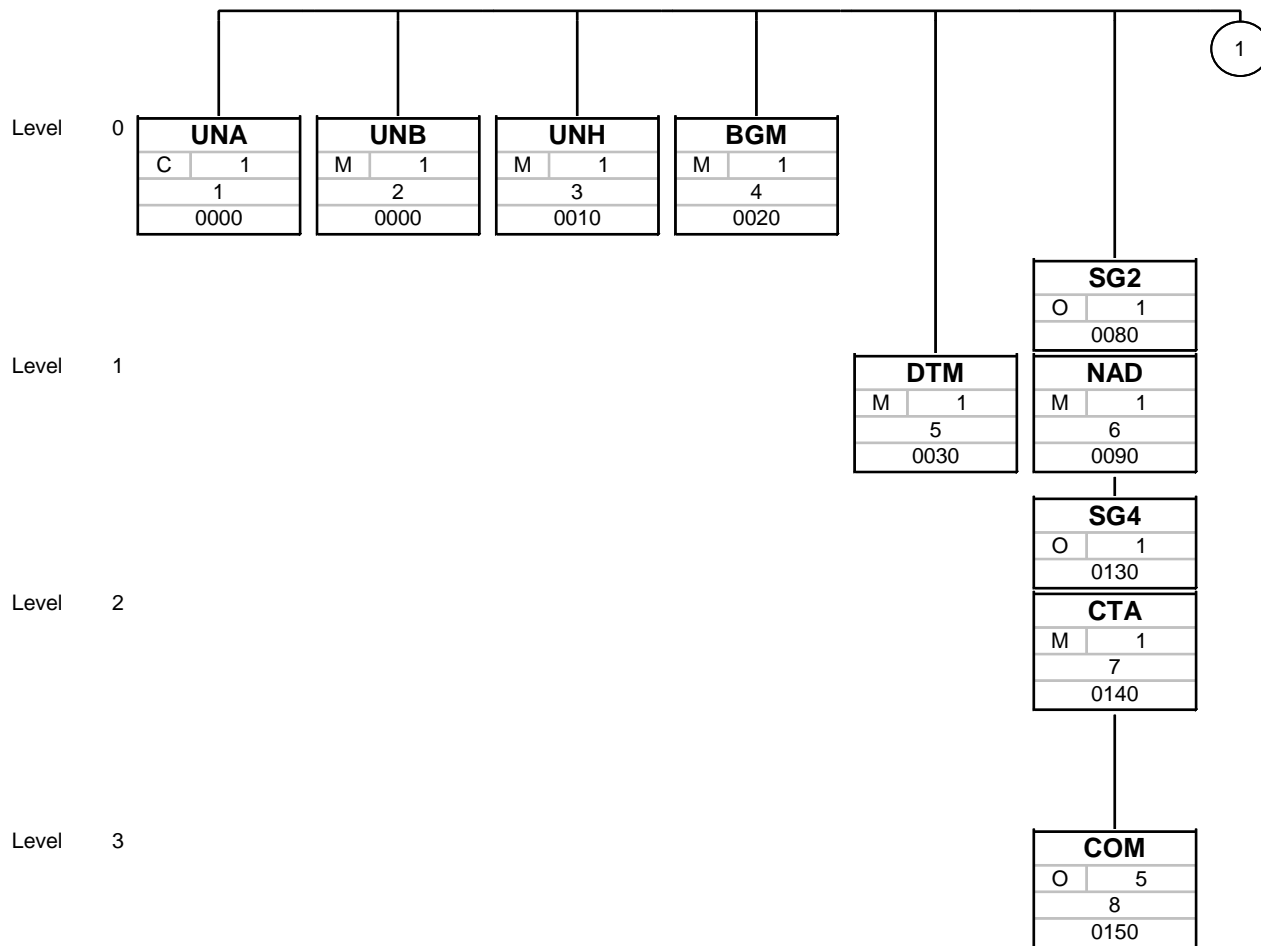
Structure / Table of Contents

Counter	No	Tag	St	MaxOcc	Level	Content
	0580	SG16	D	1	3	Delivery balance
	0590	29 QTY	M	1	3	Delivery balance quantity
	0580	SG16	D	1	3	Cumulative quantities
	0590	30 QTY	M	1	3	Cumulative quantities
	0600	31 DTM	O	1	4	Cumulative quantity date(s)
	0580	SG16	D	99	3	Despatched and received quantities
	0590	32 QTY	M	1	3	Despatched and received quantities
	0600	33 DTM	R	1	4	Despatch and/or receipt date
	0610	SG17	D	1	4	Despatch / receiving document reference
	0620	34 RFF	M	1	4	Reference
	0640	SG18	D	999	3	Scheduling data
	0650	35 SCC	M	1	3	Scheduling conditions
	0660	SG19	R	999	4	Scheduled quantity
	0670	36 QTY	M	1	4	Quantity
	0680	37 DTM	R	9	5	Scheduled date(s)
	0680	38 DTM	R	9	5	Scheduled date(s)
	1110	39 UNT	M	1	0	Message trailer
	0000	40 UNZ	M	1	0	Interchange trailer

Counter = Counter of segment/group within the standard
 No = Consecutive segment number
 MaxOcc = Maximum occurrence of the segment/group

St = Status
 EDIFACT: M=Mandatory, C=Conditional
 User specific: R=Required, O=Optional, D=Dependent,
 A=Advised, N=Not used

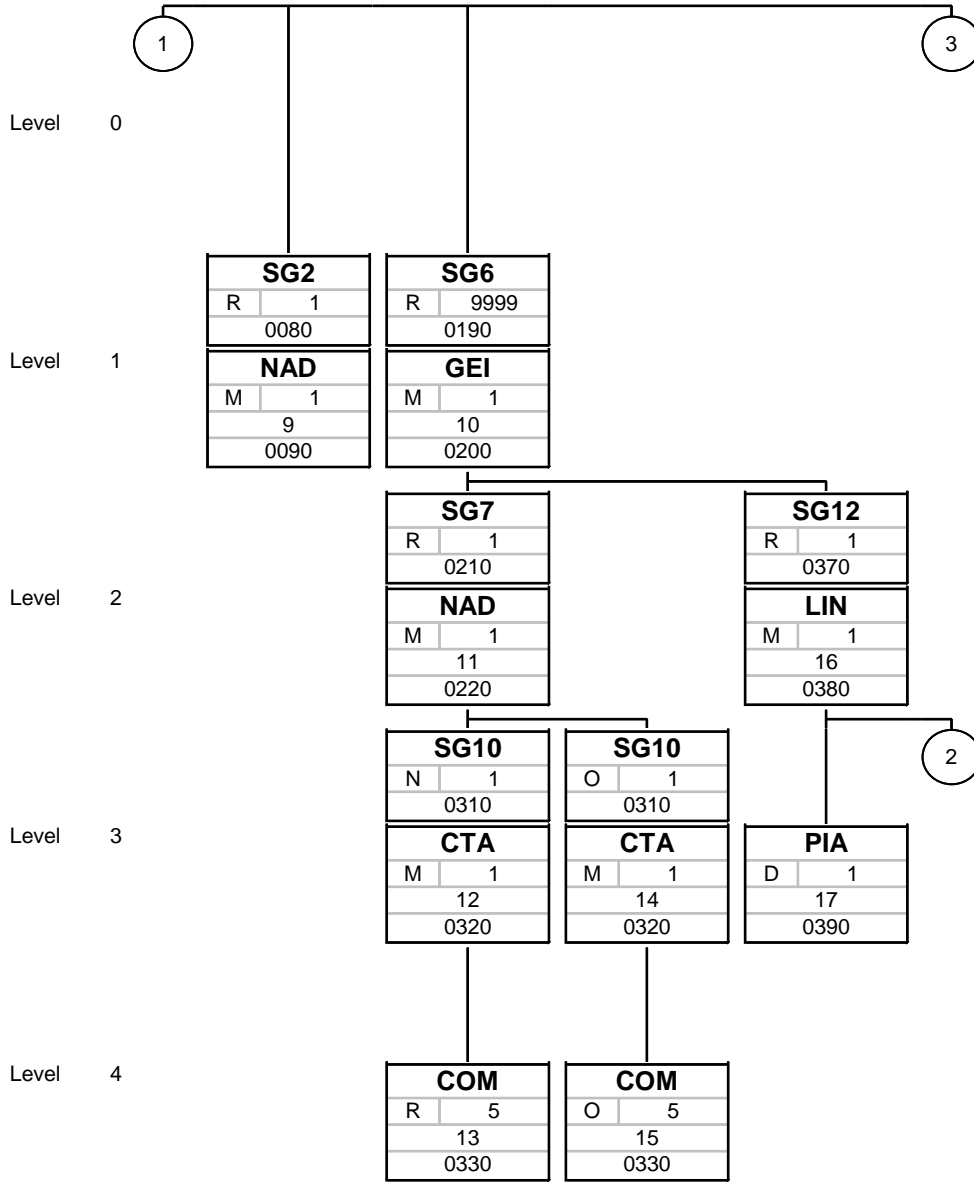
Branching Diagram of Used Segments/Groups



Tag
St MaxOcc
No
Counter

Tag = Segment/Group Tag
 St = Status (M=Mandatory, C=Conditional, R=Required, O=Optional, A=Advised, D=Dependent)
 MaxOcc = Maximum occurrence of the segment/group
 No = Consecutive segment number
 Counter = Counter of segment/group within the standard

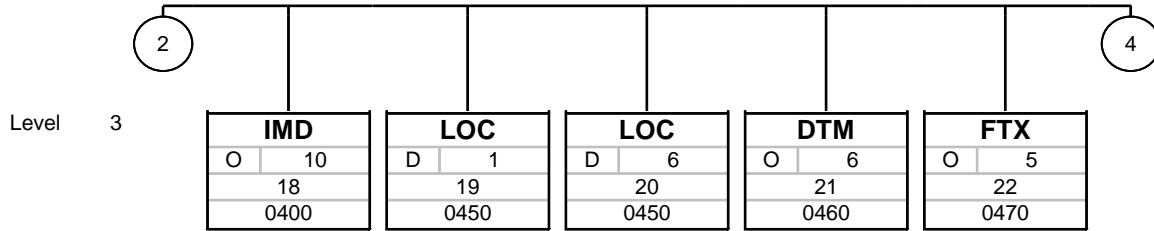
Branching Diagram of Used Segments/Groups



Tag
St MaxOcc
No
Counter

Tag = Segment/Group Tag
 St = Status (M=Mandatory, C=Conditional, R=Required, O=Optional, A=Advised, D=Dependent)
 MaxOcc = Maximum occurrence of the segment/group
 No = Consecutive segment number
 Counter = Counter of segment/group within the standard

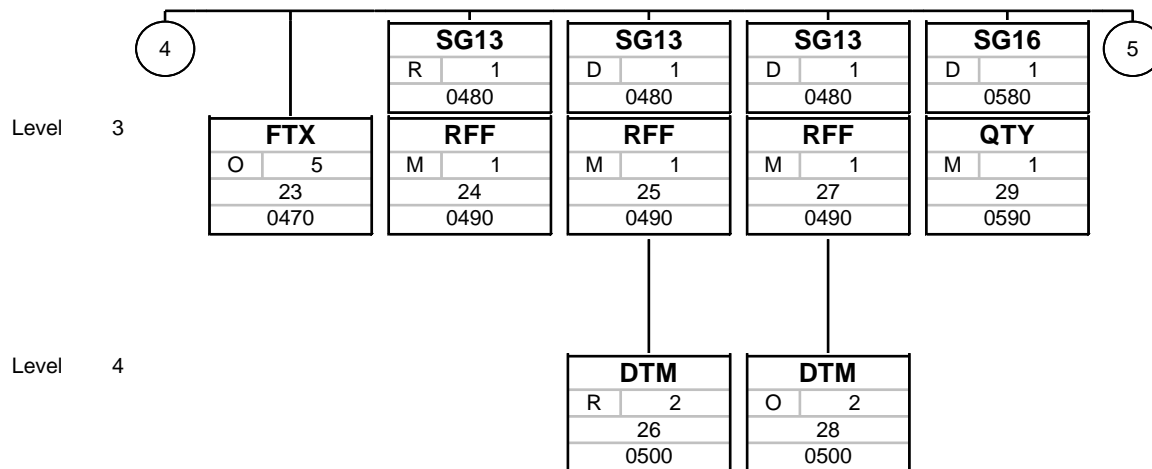
Branching Diagram of Used Segments/Groups



Tag
St MaxOcc
No
Counter

Tag = Segment/Group Tag
 St = Status (M=Mandatory, C=Conditional, R=Required, O=Optional, A=Advised, D=Dependent)
 MaxOcc = Maximum occurrence of the segment/group
 No = Consecutive segment number
 Counter = Counter of segment/group within the standard

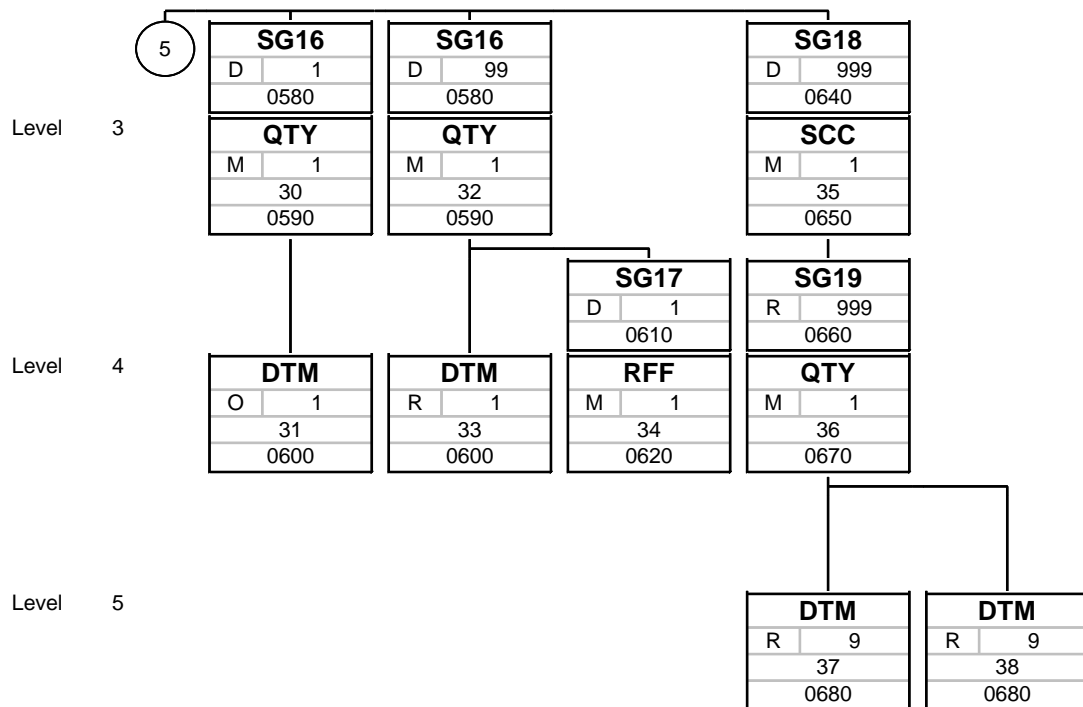
Branching Diagram of Used Segments/Groups



Tag
St MaxOcc
No
Counter

Tag = Segment/Group Tag
 St = Status (M=Mandatory, C=Conditional, R=Required, O=Optional, A=Advised, D=Dependent)
 MaxOcc = Maximum occurrence of the segment/group
 No = Consecutive segment number
 Counter = Counter of segment/group within the standard

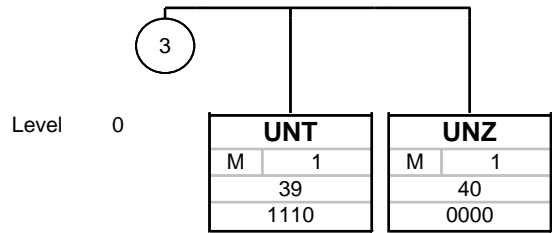
Branching Diagram of Used Segments/Groups



Tag
St MaxOcc
No
Counter

Tag = Segment/Group Tag
 St = Status (M=Mandatory, C=Conditional, R=Required, O=Optional, A=Advised, D=Dependent)
 MaxOcc = Maximum occurrence of the segment/group
 No = Consecutive segment number
 Counter = Counter of segment/group within the standard

Branching Diagram of Used Segments/Groups



Tag
St MaxOcc
No
Counter

Tag = Segment/Group Tag
 St = Status (M=Mandatory, C=Conditional, R=Required, O=Optional, A=Advised, D=Dependent)
 MaxOcc = Maximum occurrence of the segment/group
 No = Consecutive segment number
 Counter = Counter of segment/group within the standard

Segments

Counter	No	Tag	St	MaxOcc	Level	Name
0000	1	UNA	C	1	0	Service string advice

Standard			Implementation	
Tag	Name	St Format	St Format	Usage / Remark
UNA				
UNA1	Component data element separator	M an1	M an1	default (A): colon
UNA2	Data element separator	M an1	M an1	default (A): plus sign
UNA3	Decimal notation	M an1	M an1	default (A): Comma or full stop
UNA4	Release indicator	M an1	M an1	default (A): question mark; if not used, insert space character
UNA5	Reserved for future use	M an1	M an1	insert space character
UNA6	Segment terminator	M an1	M an1	default (A): Apostrophe

Remark:

Example:

UNA : + . ? ' '

No = Consecutive segment number
 MaxOcc = Maximum occurrence of the segment/group
 Counter = Counter of segment/group within the standard

St = Status
 EDIFACT: M=Mandatory, C=Conditional
 User specific: R=Required, O=Optional, D=Dependent,
 A=Advised, N=Not used

Segments

Counter	No	Tag	St	MaxOcc	Level	Name
0000	2	UNB	M	1	0	Interchange header

Standard			Implementation	
Tag	Name	St Format	St Format	Usage / Remark
UNB				
S001	Syntax identifier	M	M	
0001	Syntax identifier	M a4	M a4	UNOA UN/ECE level A UNOB UN/ECE level B UNOC UN/ECE level C UNOX UN/ECE level X
0002	Syntax version number	M n1	M n1	2 Version 2 3 Version 3
S002	Interchange sender	M	M	
0004	Sender identification	M an..35	M an..35	Unique ID of the sender in the data transmission network or system.
0007	Partner identification code qualifier	C an..4	O an..4	
0008	Address for reverse routing	C an..14	O an..14	Address of an application or internal system at sender's site to which answer messages should be routed.
S003	Interchange recipient	M	M	
0010	Recipient identification	M an..35	M an..35	Unique ID of the receiver in the data transmission network or system.
0007	Partner identification code qualifier	C an..4	O an..4	
0014	Routing address	C an..14	C an..14	Address of an application or internal system at recipient's site.
S004	Date/time of preparation	M	M	
0017	Date of preparation	M n6	M n6	Format YYMMDD
0019	Time of preparation	M n4	M n4	Format HHMM
0020	Interchange control reference	M an..14	M an..14	Unique ID of an interchange.
S005	Recipient's reference, password	C	N	
0022	Recipient's reference/password	M an..14	N	Not used
0026	Application reference	C an..14	N	Identification of the application area assigned by the sender, to which the messages in the interchange relate e.g. the message identifier if all the messages in the interchange are of the same type. Notes: 1. Optionally message identification if the message interchange contains only one type of message. Not used
0029	Processing priority code	C a1	N	Code determined by the sender requesting processing priority for the interchange. Notes: 1. Used if specified in IA. Not used
	Acknowledgement request	C n1	N	Code determined by the sender for acknowledgement of the

No = Consecutive segment number
 MaxOcc = Maximum occurrence of the segment/group
 Counter = Counter of segment/group within the standard

St = Status
 EDIFACT: M=Mandatory, C=Conditional
 User specific: R=Required, O=Optional, D=Dependent,
 A=Advised, N=Not used

Segments

		Standard	Implementation	
Tag	Name	St Format	St Format	Usage / Remark
0031				interchange. Notes: 1. Set = 1 if sender requests acknowledgement, i.e. UNB and UNZ segments received and identified. Not used
0032	Communications agreement ID	C an..35	N	Identification by name or code of the type of agreement under which the interchange takes place. Notes: 1. If used, to identify type of communication agreement controlling the interchange, e.g. Customs or ECE agreement. Code or name as specified in IA. Not used
0035	Test indicator	C n1	O n1	1 Interchange is a test Only to be used, if the interchange is for test purposes. Omit this data element for valid interchanges.

Remark:

Example:

UNB+UNOC:3+00013000023HELLA-KG-EDIP+SUPPLIER+091101:1300+144656'

No = Consecutive segment number
 MaxOcc = Maximum occurrence of the segment/group
 Counter = Counter of segment/group within the standard

St = Status
 EDIFACT: M=Mandatory, C=Conditional
 User specific: R=Required, O=Optional, D=Dependent,
 A=Advised, N=Not used

Segments

Counter	No	Tag	St	MaxOcc	Level	Name
0010	3	UNH	M	1	0	Message header

Standard			Implementation	
Tag	Name	St Format	St Format	Usage / Remark
UNH				
0062	Message reference number	M an..14	M an..14	Message reference number should be unique for an agreed period of time. (Eg. Calendar year, model year) Unique message reference assigned by the sender. Notes: 1. Shall be identical in UNH and UNT.
S009	Message identifier	M	M	
0065	Message type	M an..6	M an..6	DELFOR Delivery schedule message
0052	Message version number	M an..3	M an..3	D Draft version/UN/EDIFACT Directory
0054	Message release number	M an..3	M an..3	04A Release 2004 - A
0051	Controlling agency	M an..2	M an..2	UN UN/CEFACT
0057	Association assigned code	C an..6	R an..6	GMI051 Joint Automotive Industry Forum DELFOR V1 Identification of the subset release, assigned by the responsible organisation (Odette resp. joint automotive initiative forum).

Remark:

Example:

UNH+123456+DELFOR:D:04A:UN:GMI051'

No = Consecutive segment number
 MaxOcc = Maximum occurrence of the segment/group
 Counter = Counter of segment/group within the standard

St = Status
 EDIFACT: M=Mandatory, C=Conditional
 User specific: R=Required, O=Optional, D=Dependent,
 A=Advised, N=Not used

Segments

Counter	No	Tag	St	MaxOcc	Level	Name
0020	4	BGM	M	1	0	Beginning of message

Standard			Implementation	
Tag	Name	St Format	St Format	Usage / Remark
BGM				
C002	Document/message name	C	R	
1001	Document name code	C an..3	R an..3	241 Delivery schedule Code specifying the type or subtype of the business document. Use UN/EDIFACT code list 1001 and JAI code list JAI001 Code 241 - message contains forecasting and firm figures (combination of firm instructions and forecasting figures)
1131	Code list identification code	C an..17	N	Not used
3055	Code list responsible agency code	C an..3	N	Not used
1000	Document name	C an..35	R an..35	Additional profile information concerning the delivery instruction: - Delivery Schedule - Consignment - VMI
C106	Document/message identification	C	R	
1004	Document identifier	C an..35	R an..35	Unique identifier of a document. Synonym: document number

Remark:

Example:

BGM+241:::Delivery Schedule+231234'

No = Consecutive segment number
 MaxOcc = Maximum occurrence of the segment/group
 Counter = Counter of segment/group within the standard

St = Status
 EDIFACT: M=Mandatory, C=Conditional
 User specific: R=Required, O=Optional, D=Dependent,
 A=Advised, N=Not used

Segments

Counter	No	Tag	St	MaxOcc	Level	Name
0030	5	DTM	M	1	1	Document Issue Date

Standard			Implementation	
Tag	Name	St Format	St Format	Usage / Remark
DTM				
C507	Date/time/period	M	M	
2005	Date or time or period function code qualifier	M an..3	M an..3	137 Document issue date time
2380	Date or time or period text	C an..35	R an..35	Date, on which a document or business signal was issued.
2379	Date or time or period format code	C an..3	R an..3	102 CCYYMMDD

Remark:

Example:

DTM+137:20091101:102'

No = Consecutive segment number
 MaxOcc = Maximum occurrence of the segment/group
 Counter = Counter of segment/group within the standard

St = Status
 EDIFACT: M=Mandatory, C=Conditional
 User specific: R=Required, O=Optional, D=Dependent,
 A=Advised, N=Not used

Segments

Counter	No	Tag	St	MaxOcc	Level	Name
0080		SG2	O	1	1	Buyer
0090	6	NAD	M	1	1	Buyer's Name and Address

Standard			Implementation	
Tag	Name	St Format	St Format	Usage / Remark
NAD				
3035	Party function code qualifier	M an..3	M an..3	BY Buyer Some companies refer to the buyer as the material release issuer. Both terms are used as synonyms in the DELFOR. Code giving specific meaning to a party.
C082	Party identification details	C	R	
3039	Party identifier	M an..35	M an..35	Unique identification of a party by an ID.
1131	Code list identification code	C an..17	N	Not used
3055	Code list responsible agency code	C an..3	R an..3	91 Assigned by seller or seller's agent Code specifying the agency responsible for a code list.

Remark:
Party to whom merchandise and/or service is sold.

Example:
NAD+BY+88012::91'

No = Consecutive segment number
MaxOcc = Maximum occurrence of the segment/group
Counter = Counter of segment/group within the standard

St = Status
EDIFACT: M=Mandatory, C=Conditional
User specific: R=Required, O=Optional, D=Dependent,
A=Advised, N=Not used

Segments

Counter	No	Tag	St	MaxOcc	Level	Name
0130		SG4	O	1	2	Information Contact
0140	7	CTA	M	1	2	Information Contact

Standard			Implementation	
Tag	Name	St Format	St Format	Usage / Remark
CTA				
3139	Contact function code	C an..3	R an..3	IC Information contact Code specifying the function of a contact (e.g. department or person).
C056	Department or employee details	C	R	
3413	Department or employee name code	C an..17	R an..17	Identifies the department or employee by a unique identifier other than their name when given as a contact.
3412	Department or employee name	C an..35	C an..35	Name of the contact person or department

Remark:

Information that identifies the contact person or department on general matters, together with information about how they can be contacted.

Example:

CTA+IC+HCC-IL-OC:Cross Application'

No = Consecutive segment number
 MaxOcc = Maximum occurrence of the segment/group
 Counter = Counter of segment/group within the standard

St = Status
 EDIFACT: M=Mandatory, C=Conditional
 User specific: R=Required, O=Optional, D=Dependent,
 A=Advised, N=Not used

Segments

Counter	No	Tag	St	MaxOcc	Level	Name
0130		SG4	O	1	2	Information Contact
0150	8	COM	O	5	3	Communication contact

		Standard	Implementation	
Tag	Name	St Format	St Format	Usage / Remark
COM				
C076	Communication contact	M	M	
3148	Communication address identifier	M an..512	M an..100	The number or virtual 'address' of a telephone in a telecommunication system The number or virtual 'address' of a telephone in an organisation's internal telecommunication system The number or virtual 'address' of a facsimile in a telecommunication system The number or virtual 'address' of an e-mail mailbox in the internet or other network. Within a given facility a detailed department mail delivery location.
3155	Communication address code qualifier	M an..3	M an..3	EM Electronic mail EX Extension FX Telefax IM Internal mail TE Telephone

Remark:

Example:

COM+0123456789012:TE'

No = Consecutive segment number
MaxOcc = Maximum occurrence of the segment/group
Counter = Counter of segment/group within the standard

St = Status
EDIFACT: M=Mandatory, C=Conditional
User specific: R=Required, O=Optional, D=Dependent, A=Advised, N=Not used

Segments

Counter	No	Tag	St	MaxOcc	Level	Name
0080		SG2 Seller	R	1	1	Seller
0090	9	NAD	M	1	1	Seller's Name and Address

		Standard	Implementation	
Tag	Name	St Format	St Format	Usage / Remark
NAD				
3035	Party function code qualifier	M an..3	M an..3	SE Seller Code giving specific meaning to a party.
C082	Party identification details	C	R	
3039	Party identifier	M an..35	M an..35	Unique identification of a party by an ID.
1131	Code list identification code	C an..17	N	Not used
3055	Code list responsible agency code	C an..3	R an..3	92 Assigned by buyer or buyer's agent Code specifying the agency responsible for a code list.

Remark:

Party selling merchandise to a buyer.

Seller: The party who has liability to fulfill the contract. It is often used in the sense of seller and supplier and ship-from.

In Europe and Japan seller is preferred to identify the selling and supplying party. Supplier is only included when the party actually differs from the seller.

Example:

NAD+SE+070000001:::92'

No = Consecutive segment number
 MaxOcc = Maximum occurrence of the segment/group
 Counter = Counter of segment/group within the standard

St = Status
 EDIFACT: M=Mandatory, C=Conditional
 User specific: R=Required, O=Optional, D=Dependent,
 A=Advised, N=Not used

Segments

Counter	No	Tag	St	MaxOcc	Level	Name
0190		SG6	R	9999	1	Ship-to level
0200	10	GEI	M	1	1	Processing information

Standard			Implementation	
Tag	Name	St Format	St Format	Usage / Remark
GEI				
9649	Processing information code qualifier	M an..3	M an..3	3 Scheduling type information Code qualifying the processing information.

Remark:

This level gives the delivery instruction details (schedule dates, scheduled quantities etc.) for one individual ship-to party e.g. a plant in a delivery instruction or forecast.

Example:

GEI+3'

No = Consecutive segment number
 MaxOcc = Maximum occurrence of the segment/group
 Counter = Counter of segment/group within the standard

St = Status
 EDIFACT: M=Mandatory, C=Conditional
 User specific: R=Required, O=Optional, D=Dependent,
 A=Advised, N=Not used

Segments

Counter	No	Tag	St	MaxOcc	Level	Name
0210		SG7	R	1	2	Ship-to
0220	11	NAD	M	1	2	Ship-to

		Standard	Implementation	
Tag	Name	St Format	St Format	Usage / Remark
NAD				
3035	Party function code qualifier	M an..3	M an..3	ST Ship to Code giving specific meaning to a party.
C082	Party identification details	C	R	
3039	Party identifier	M an..35	M an..35	Unique identification of a party by an ID.
1131	Code list identification code	C an..17	N	Not used
3055	Code list responsible agency code	C an..3	R an..3	92 Assigned by buyer or buyer's agent Code specifying the agency responsible for a code list.

Remark:

The party to which goods are to be shipped (consigned). Identifies a delivery point and its attached information when a delivery point method is being used.

The Ship-to must be used, if there are multiple customer/buyer locations included in a DELFOR. In addition, in European business processes this ship-to party is often required even if it repeats the information given for the buyer already.

Example:

NAD+ST+1015:::92'

No = Consecutive segment number
 MaxOcc = Maximum occurrence of the segment/group
 Counter = Counter of segment/group within the standard

St = Status
 EDIFACT: M=Mandatory, C=Conditional
 User specific: R=Required, O=Optional, D=Dependent,
 A=Advised, N=Not used

Segments

Counter	No	Tag	St	MaxOcc	Level	Name
0310		SG10	N	1	3	Purchasing Contact
0320	12	CTA	M	1	3	Purchasing Contact

Standard			Implementation	
Tag	Name	St Format	St Format	Usage / Remark
CTA				
3139	Contact function code	C an..3	R an..3	PD Purchasing contact Code specifying the function of a contact (e.g. department or person).
C056	Department or employee details	C	R	
3413	Department or employee name code	C an..17	O an..17	Identifies the department or employee by a unique identifier other than their name when given as a contact.
3412	Department or employee name	C an..35	R an..35	Name of the contact person or department

Remark:

Information that identifies the (e.g. buyer's) contact person or department on purchase matters, together with information about how they can be contacted.

Example:

CTA+PD+PUR: PURCHASING'

No = Consecutive segment number
 MaxOcc = Maximum occurrence of the segment/group
 Counter = Counter of segment/group within the standard

St = Status
 EDIFACT: M=Mandatory, C=Conditional
 User specific: R=Required, O=Optional, D=Dependent,
 A=Advised, N=Not used

Segments

Counter	No	Tag	St	MaxOcc	Level	Name
0310		SG10	N	1	3	Purchasing Contact
0330	13	COM	R	5	4	Communication contact

Standard			Implementation	
Tag	Name	St Format	St Format	Usage / Remark
COM				
C076	Communication contact	M	M	
3148	Communication address identifier	M an..512	M an..100	The number or virtual 'address' of a telephone in a telecommunication system The number or virtual 'address' of a telephone in an organisation's internal telecommunication system The number or virtual 'address' of a facsimile in a telecommunication system The number or virtual 'address' of an e-mail mailbox in the internet or other network. Within a given facility a detailed department mail delivery location.
3155	Communication address code qualifier	M an..3	M an..3	EM Electronic mail EX Extension FX Telefax IM Internal mail TE Telephone

Remark:

Example:

COM+0123456789012:TE'

No = Consecutive segment number
MaxOcc = Maximum occurrence of the segment/group
Counter = Counter of segment/group within the standard

St = Status
EDIFACT: M=Mandatory, C=Conditional
User specific: R=Required, O=Optional, D=Dependent, A=Advised, N=Not used

Segments

Counter	No	Tag	St	MaxOcc	Level	Name
0310		SG10	O	1	3	Schedule Contact
0320	14	CTA	M	1	3	Schedule Contact

		Standard	Implementation	
Tag	Name	St Format	St Format	Usage / Remark
CTA				
3139	Contact function code	C an..3	R an..3	SC Schedule contact Code specifying the function of a contact (e.g. department or person).
C056	Department or employee details	C	R	
3413	Department or employee name code	C an..17	O an..17	Identifies the department or employee by a unique identifier other than their name when given as a contact.
3412	Department or employee name	C an..35	O an..35	Name of the contact person or department

Remark:

Information that identifies the contact person or department responsible for the scheduling of deliveries, e.g. by releasing call-off orders or delivery forecasts, together with information about how they can be contacted.

Example:

CTA+SC+SCH:SCHEDULING'

No = Consecutive segment number
 MaxOcc = Maximum occurrence of the segment/group
 Counter = Counter of segment/group within the standard

St = Status
 EDIFACT: M=Mandatory, C=Conditional
 User specific: R=Required, O=Optional, D=Dependent,
 A=Advised, N=Not used

Segments

Counter	No	Tag	St	MaxOcc	Level	Name
0310		SG10	O	1	3	Schedule Contact
0330	15	COM	O	5	4	Communication contact

Standard			Implementation	
Tag	Name	St Format	St Format	Usage / Remark
COM				
C076	Communication contact	M	M	
3148	Communication address identifier	M an..512	M an..100	The number or virtual 'address' of a telephone in a telecommunication system The number or virtual 'address' of a telephone in an organisation's internal telecommunication system The number or virtual 'address' of a facsimile in a telecommunication system The number or virtual 'address' of an e-mail mailbox in the internet or other network. Within a given facility a detailed department mail delivery location.
3155	Communication address code qualifier	M an..3	M an..3	EM Electronic mail EX Extension FX Telefax IM Internal mail TE Telephone

Remark:

Example:

COM+0123456789012:TE'

No = Consecutive segment number
MaxOcc = Maximum occurrence of the segment/group
Counter = Counter of segment/group within the standard

St = Status
EDIFACT: M=Mandatory, C=Conditional
User specific: R=Required, O=Optional, D=Dependent,
A=Advised, N=Not used

Segments

Counter	No	Tag	St	MaxOcc	Level	Name
0370		SG12	R	1	2	Scheduled Article Details
0380	16	LIN	M	1	2	Line item

Standard			Implementation	
Tag	Name	St Format	St Format	Usage / Remark
LIN				
1082	Line item identifier	C an..6	N	To identify a line item. Not used
1229	Action request/notification description code	C an..3	N	Code specifying the action to be taken or already taken. Not used
C212	Item number identification	C	R	
7140	Item identifier	C an..35	R an..35	Part number Information directly relating to the identification of an article by the buyer's identification system. Note: The term article is synonym with the term item. Since in Odette and in the global joint automotive projects the term article has been used, this naming convention has been continued.
7143	Item type identification code	C an..3	O an..3	IN Buyer's item number

Remark:

An article required by the buyer, which is scheduled to be delivered. All other segments in the detail section following the LIN segment refer to the line item.

Example:

LIN+++471.108-15:IN'

No = Consecutive segment number
 MaxOcc = Maximum occurrence of the segment/group
 Counter = Counter of segment/group within the standard

St = Status
 EDIFACT: M=Mandatory, C=Conditional
 User specific: R=Required, O=Optional, D=Dependent,
 A=Advised, N=Not used

Segments

Counter	No	Tag	St	MaxOcc	Level	Name
	0370	SG12	R	1	2	Scheduled Article Details
	0390	PIA	D	1	3	Additional product id

		Standard	Implementation	
Tag	Name	St Format	St Format	Usage / Remark
PIA				
4347	Product identifier code qualifier	M an..3	R an..3	1 Additional identification Code qualifying the product identifier.
C212	Item number identification	M	O	
7140	Item identifier	C an..35	R an..35	Information directly relating to the identification of an item by the seller's identification system. Note: The term article is synonym with the term item. Since in Odette and in the global joint automotive projects the term article has been used, this naming convention has been continued.
7143	Item type identification code	C an..3	R an..3	SA Supplier's article number
C212	Item number identification	C	D	
7140	Item identifier	C an..35	R an..35	The revision number of the design specification for an article.
7143	Item type identification code	C an..3	R an..3	DR Drawing revision number

Remark:

The sequence of C212 in PIA segments qualified with '1' is free. The first occurrence of C212 has to be filled.

Example:

PIA+1+12345:SA+AA:DR'

No = Consecutive segment number
 MaxOcc = Maximum occurrence of the segment/group
 Counter = Counter of segment/group within the standard

St = Status
 EDIFACT: M=Mandatory, C=Conditional
 User specific: R=Required, O=Optional, D=Dependent,
 A=Advised, N=Not used

Segments

Counter	No	Tag	St	MaxOcc	Level	Name
0370		SG12	R	1	2	Scheduled Article Details
0400	18	IMD	O	10	3	Item short description

		Standard	Implementation	
Tag	Name	St Format	St Format	Usage / Remark
IMD				
7077	Description format code	C an..3	N	Code specifying the format of a description. Not used
C272	Item characteristic	C	N	
7081	Item characteristic code	C an..3	N	Not used
C273	Item description	C	R	
7009	Item description code	C an..17	N	Not used
1131	Code list identification code	C an..17	N	Not used
3055	Code list responsible agency code	C an..3	N	Not used
7008	Item description	C an..256	R an..256	The short name or description of an article or service in plain text. For Japanese business environment up to 198 lines of text may be necessary.

Remark:

Example:

IMD+++ : : BOLT '

No = Consecutive segment number
 MaxOcc = Maximum occurrence of the segment/group
 Counter = Counter of segment/group within the standard

St = Status
 EDIFACT: M=Mandatory, C=Conditional
 User specific: R=Required, O=Optional, D=Dependent,
 A=Advised, N=Not used

Segments

Counter	No	Tag	St	MaxOcc	Level	Name
	0370	SG12	R	1	2	Scheduled Article Details
	0450	19 LOC	D	1	3	Place of discharge

Standard			Implementation	
Tag	Name	St Format	St Format	Usage / Remark
LOC				
3227	Location function code qualifier	M an..3	M an..3	11 Place of discharge Code identifying the function of a location.
C517	Location identification	C	R	
3225	Location name code	C an..35	R an..35	Identifier / code specifying the name of a location.
1131	Code list identification code	C an..17	N	Not used
3055	Code list responsible agency code	C an..3	R an..3	Code specifying the agency responsible for a code list. 92 Assigned by buyer or buyer's agent

Remark:

Seaport, airport, freight terminal, rail station or other place at which the goods (cargo) are unloaded from the means of transport having been used for their carriage.

Example:

LOC+11+5000:::92'

No = Consecutive segment number
 MaxOcc = Maximum occurrence of the segment/group
 Counter = Counter of segment/group within the standard

St = Status
 EDIFACT: M=Mandatory, C=Conditional
 User specific: R=Required, O=Optional, D=Dependent,
 A=Advised, N=Not used

Segments

Counter	No	Tag	St	MaxOcc	Level	Name
0370		SG12	R	1	2	Scheduled Article Details
0450	20	LOC	D	6	3	Internal place of destination

Standard			Implementation	
Tag	Name	St Format	St Format	Usage / Remark
LOC				
3227	Location function code qualifier	M an..3	M an..3	159 Additional internal destination Code identifying the function of a location.
C517	Location identification	C	R	
3225	Location name code	C an..35	R an..35	Identifier / code specifying the name of a location.
1131	Code list identification code	C an..17	N	Not used
3055	Code list responsible agency code	C an..3	R an..3	92 Assigned by buyer or buyer's agent Code specifying the agency responsible for a code list.

Remark:

An internal location within the ship-to's premises, where goods are moved to after they have been unloaded, e.g. an assembly line, an internal warehouse, etc.

Example:

LOC+159+PVB:::92'

No = Consecutive segment number
 MaxOcc = Maximum occurrence of the segment/group
 Counter = Counter of segment/group within the standard

St = Status
 EDIFACT: M=Mandatory, C=Conditional
 User specific: R=Required, O=Optional, D=Dependent,
 A=Advised, N=Not used

Segments

Counter	No	Tag	St	MaxOcc	Level	Name
0370		SG12	R	1	2	Scheduled Article Details
0460	21	DTM	O	6	3	Line item dates

Standard			Implementation	
Tag	Name	St Format	St Format	Usage / Remark
DTM				
C507	Date/time/period	M	M	
2005	Date or time or period function code qualifier	M an..3	M an..3	257 Calculation date time Line item related dates
2380	Date or time or period text	C an..35	R an..35	Date and time on which the delivery quantities are calculated.
2379	Date or time or period format code	C an..3	R an..3	102 CCYYMMDD

Remark:

Example:

DTM+257:20091029:102'

No = Consecutive segment number
 MaxOcc = Maximum occurrence of the segment/group
 Counter = Counter of segment/group within the standard

St = Status
 EDIFACT: M=Mandatory, C=Conditional
 User specific: R=Required, O=Optional, D=Dependent,
 A=Advised, N=Not used

Segments

Counter	No	Tag	St	MaxOcc	Level	Name
0370		SG12	R	1	2	Scheduled Article Details
0470	22	FTX	O	5	3	Article text

		Standard	Implementation	
Tag	Name	St Format	St Format	Usage / Remark
FTX				
4451	Text subject code qualifier	M an..3	M an..3	LIN Line item Code qualifying the subject of the text.
4453	Free text function code	C an..3	N	Code specifying the function of free text. Not used
C107	Text reference	C	N	
4441	Free text description code	M an..17	N	Not used
C108	Text literal	C	R	
4440	Free text	M an..512	M an..250	A line of plain, non-structured text information.
4440	Free text	C an..512	O an..250	see 4440#1
4440	Free text	C an..512	O an..250	see 4440#1
4440	Free text	C an..512	O an..250	see 4440#1
4440	Free text	C an..512	O an..250	see 4440#1

Remark:

Example:

FTX+LIN+++Text information'

No = Consecutive segment number
 MaxOcc = Maximum occurrence of the segment/group
 Counter = Counter of segment/group within the standard

St = Status
 EDIFACT: M=Mandatory, C=Conditional
 User specific: R=Required, O=Optional, D=Dependent,
 A=Advised, N=Not used

Segments

Counter	No	Tag	St	MaxOcc	Level	Name
0370		SG12	R	1	2	Scheduled Article Details
0470	23	FTX	O	5	3	General information text

		Standard	Implementation	
Tag	Name	St Format	St Format	Usage / Remark
FTX				
4451	Text subject code qualifier	M an..3	M an..3	AAI General information Code qualifying the subject of the text.
4453	Free text function code	C an..3	N	Code specifying the function of free text. Not used
C107	Text reference	C	N	
4441	Free text description code	M an..17	N	Not used
C108	Text literal	C	R	
4440	Free text	M an..512	M an..250	A line of plain, non-structured text information.
4440	Free text	C an..512	O an..250	see 4440#1
4440	Free text	C an..512	O an..250	see 4440#1
4440	Free text	C an..512	O an..250	see 4440#1
4440	Free text	C an..512	O an..250	see 4440#1

Remark:

General information text

Example:

FTX+AAI+++Text information'

No = Consecutive segment number
 MaxOcc = Maximum occurrence of the segment/group
 Counter = Counter of segment/group within the standard

St = Status
 EDIFACT: M=Mandatory, C=Conditional
 User specific: R=Required, O=Optional, D=Dependent,
 A=Advised, N=Not used

Segments

Counter	No	Tag	St	MaxOcc	Level	Name
0480		SG13	R	1	3	Other reference
0490	24	RFF	M	1	3	Other reference

Standard			Implementation	
Tag	Name	St Format	St Format	Usage / Remark
RFF				
C506	Reference	M	M	
1153	Reference code qualifier	M an..3	M an..3	ON Order document identifier, buyer assigned
1154	Reference identifier	C an..70	R an..17	Unique identifier of a document. Synonym: document number
1156	Document line identifier	C an..6	C an..6	Sequential number assigned by the sender to identify a line item within a message or document.

Remark:

Example:

RFF+ON:5500000001:0010'

No = Consecutive segment number
 MaxOcc = Maximum occurrence of the segment/group
 Counter = Counter of segment/group within the standard

St = Status
 EDIFACT: M=Mandatory, C=Conditional
 User specific: R=Required, O=Optional, D=Dependent,
 A=Advised, N=Not used

Segments

Counter	No	Tag	St	MaxOcc	Level	Name
0480		SG13	D	1	3	Other reference Not used for VMI!
0490	25	RFF	M	1	3	Other reference

		Standard	Implementation	
Tag	Name	St Format	St Format	Usage / Remark
RFF				
C506	Reference	M	M	
1153	Reference code qualifier	M an..3	M an..3	AAN Delivery schedule number
1154	Reference identifier	C an..70	R an..17	Unique identifier of a document. Synonym: document number

Remark:

Example:

RFF+AAN:151'

No = Consecutive segment number
 MaxOcc = Maximum occurrence of the segment/group
 Counter = Counter of segment/group within the standard

St = Status
 EDIFACT: M=Mandatory, C=Conditional
 User specific: R=Required, O=Optional, D=Dependent,
 A=Advised, N=Not used

Segments

Counter	No	Tag	St	MaxOcc	Level	Name
0480		SG13	D	1	3	Other reference Not used for VMI!
0500	26	DTM	R	2	4	Referenced document's date

		Standard	Implementation	
Tag	Name	St Format	St Format	Usage / Remark
DTM				
C507	Date/time/period	M	M	
2005	Date or time or period function code qualifier	M an..3	M an..3	171 Reference date/time The use of 171 is recommended. 137 is included for compatibility reasons.
2380	Date or time or period text	C an..35	R an..35	Date, on which a document or business signal was issued.
2379	Date or time or period format code	C an..3	R an..3	102 CCYYMMDD

Remark:

Example:

DTM+171:20091029:102'

No = Consecutive segment number
 MaxOcc = Maximum occurrence of the segment/group
 Counter = Counter of segment/group within the standard

St = Status
 EDIFACT: M=Mandatory, C=Conditional
 User specific: R=Required, O=Optional, D=Dependent,
 A=Advised, N=Not used

Segments

Counter	No	Tag	St	MaxOcc	Level	Name
0480		SG13	D	1	3	Other reference Not used for VMI!
0490	27	RFF	M	1	3	Other reference

		Standard	Implementation	
Tag	Name	St Format	St Format	Usage / Remark
RFF				
C506	Reference	M	M	
1153	Reference code qualifier	M an..3	M an..3	AIF Previous delivery instruction number
1154	Reference identifier	C an..70	R an..17	Unique identifier of a document. Synonym: document number

Remark:

Example:

RFF+AIF:150'

No = Consecutive segment number
 MaxOcc = Maximum occurrence of the segment/group
 Counter = Counter of segment/group within the standard

St = Status
 EDIFACT: M=Mandatory, C=Conditional
 User specific: R=Required, O=Optional, D=Dependent,
 A=Advised, N=Not used

Segments

Counter	No	Tag	St	MaxOcc	Level	Name
0480		SG13 Not used for VMI!	D	1	3	Other reference
0500	28	DTM	O	2	4	Referenced document's date

		Standard	Implementation		
Tag	Name	St Format	St Format	Usage / Remark	
DTM					
C507	Date/time/period	M	M		
2005	Date or time or period function code qualifier	M an..3	M an..3	171 Reference date/time The use of 171 is recommended. 137 is included for compatibility reasons.	
2380	Date or time or period text	C an..35	R an..35	Date, on which a document or business signal was issued.	
2379	Date or time or period format code	C an..3	R an..3	102 CCYYMMDD	

Remark:

Example:

DTM+171:20091022:102'

No = Consecutive segment number
 MaxOcc = Maximum occurrence of the segment/group
 Counter = Counter of segment/group within the standard

St = Status
 EDIFACT: M=Mandatory, C=Conditional
 User specific: R=Required, O=Optional, D=Dependent,
 A=Advised, N=Not used

Segments

Counter	No	Tag	St	MaxOcc	Level	Name
0580		SG16	D	1	3	Delivery balance
		Not used for VMI!				
0590	29	QTY	M	1	3	Delivery balance quantity

		Standard	Implementation	
Tag	Name	St Format	St Format	Usage / Remark
QTY				
C186	Quantity details	M	M	
6063	Quantity type code qualifier	M an..3	M an..3	83 Backorder quantity Code indicates the difference between instructed quantity and actually received quantity.
6060	Quantity	M an..35	M n..15	Difference between quantity scheduled and quantity received. For positive values, the quantity scheduled is greater than the quantity received.
6411	Measurement unit code	C an..8	R an..8	Code specifying the unit of measurement, use UN/ECE Recommendation 20, Common code.

Remark:

Example:

QTY+83:5000:C62'

No = Consecutive segment number
 MaxOcc = Maximum occurrence of the segment/group
 Counter = Counter of segment/group within the standard

St = Status
 EDIFACT: M=Mandatory, C=Conditional
 User specific: R=Required, O=Optional, D=Dependent,
 A=Advised, N=Not used

Segments

Counter	No	Tag	St	MaxOcc	Level	Name
0580		SG16	D	1	3	Cumulative quantities
		Not used for VMI!				
0590	30	QTY	M	1	3	Cumulative quantities

		Standard	Implementation	
Tag	Name	St Format	St Format	Usage / Remark
QTY				
C186	Quantity details	M	M	
6063	Quantity type code qualifier	M an..3	M an..3	70 Cumulative quantity received
6060	Quantity	M an..35	R n..15	Cumulative quantity
6411	Measurement unit code	C an..8	O an..8	Code specifying the unit of measurement, use UN/ECE Recommendation 20, Common code.

Remark:

Example:

QTY+70:100000:C62'

No = Consecutive segment number
 MaxOcc = Maximum occurrence of the segment/group
 Counter = Counter of segment/group within the standard

St = Status
 EDIFACT: M=Mandatory, C=Conditional
 User specific: R=Required, O=Optional, D=Dependent,
 A=Advised, N=Not used

Segments

Counter	No	Tag	St	MaxOcc	Level	Name
0580		SG16 Not used for VMI!	D	1	3	Cumulative quantities
0600	31	DTM	O	1	4	Cumulative quantity date(s)

		Standard	Implementation		
Tag	Name	St Format	St Format	Usage / Remark	
DTM					
C507	Date/time/period	M	M		
2005	Date or time or period function code qualifier	M an..3	M an..3	51 Cumulative quantity start date	
2380	Date or time or period text	C an..35	R an..35	Start date of a given period End date of a given period	
2379	Date or time or period format code	C an..3	R an..3	102 CCYYMMDD	

Remark:

Example:

DTM+51:20050101:102'

No = Consecutive segment number
 MaxOcc = Maximum occurrence of the segment/group
 Counter = Counter of segment/group within the standard

St = Status
 EDIFACT: M=Mandatory, C=Conditional
 User specific: R=Required, O=Optional, D=Dependent,
 A=Advised, N=Not used

Segments

Counter	No	Tag	St	MaxOcc	Level	Name
0580		SG16	D	99	3	Despatched and received quantities
0590	32	QTY	M	1	3	Despatched and received quantities

Standard			Implementation	
Tag	Name	St Format	St Format	Usage / Remark
QTY				
C186	Quantity details	M	M	
6063	Quantity type code qualifier	M an..3	M an..3	48 Received quantity
6060	Quantity	M an..35	M n..15	Despatched Quantity Value The quantity received by the ship-to party.
6411	Measurement unit code	C an..8	O an..8	Code specifying the unit of measurement, use UN/ECE Recommendation 20, Common code.

Remark:

Example:

QTY+48:10000:C62'

No = Consecutive segment number
 MaxOcc = Maximum occurrence of the segment/group
 Counter = Counter of segment/group within the standard

St = Status
 EDIFACT: M=Mandatory, C=Conditional
 User specific: R=Required, O=Optional, D=Dependent,
 A=Advised, N=Not used

Segments

Counter	No	Tag	St	MaxOcc	Level	Name
0580		SG16	D	99	3	Despatched and received quantities
0600	33	DTM	R	1	4	Despatch and/or receipt date

		Standard	Implementation	
Tag	Name	St Format	St Format	Usage / Remark
DTM				
C507	Date/time/period	M	M	
2005	Date or time or period function code qualifier	M an..3	M an..3	50 Goods receipt date/time
2380	Date or time or period text	C an..35	R an..35	Date/time on which the goods are or are expected to be despatched or shipped. Only to be used, if not a complete receiving advice reference is used. Date when the Ship-to party receives a shipment
2379	Date or time or period format code	C an..3	R an..3	102 CCYYMMDD

Remark:

Example:

DTM+50:20091028:102'

No = Consecutive segment number
 MaxOcc = Maximum occurrence of the segment/group
 Counter = Counter of segment/group within the standard

St = Status
 EDIFACT: M=Mandatory, C=Conditional
 User specific: R=Required, O=Optional, D=Dependent,
 A=Advised, N=Not used

Segments

Counter	No	Tag	St	MaxOcc	Level	Name
0610		SG17	D	1	4	Despatch / receiving document reference
0620	34	RFF	M	1	4	Reference

Standard			Implementation	
Tag	Name	St Format	St Format	Usage / Remark
RFF				
C506	Reference	M	M	
1153	Reference code qualifier	M an..3	M an..3	AAK Despatch advice number
1154	Reference identifier	C an..70	R an..17	Unique identifier of the despatch advice

Remark:

Reference identifier assigned by the issuer to the document for a despatch advice

Example:

RFF+AAK:12345'

No = Consecutive segment number
 MaxOcc = Maximum occurrence of the segment/group
 Counter = Counter of segment/group within the standard

St = Status
 EDIFACT: M=Mandatory, C=Conditional
 User specific: R=Required, O=Optional, D=Dependent,
 A=Advised, N=Not used

Segments

Counter	No	Tag	St	MaxOcc	Level	Name
0640		SG18	D	999	3	Scheduling data
0650	35	SCC	M	1	3	Scheduling conditions

Standard			Implementation	
Tag	Name	St Format	St Format	Usage / Remark
SCC				
4017	Delivery plan commitment level code	M an..3	M an..3	1 Firm 4 Planning/forecast 10 Immediate Code indicating the level of commitment of a delivery instruction.
4493	Delivery instruction code	C an..3	C an..3	Code specifying a delivery instruction.
C329	Pattern description	C	O	
2013	Frequency code	C an..3	R an..3	D Discrete F Flexible interval (from date X through date Y) M Monthly (calendar months) W Weekly Code specifying interval grouping of the delivery, production etc of the schedule.

Remark:

Information providing dates/times/periods of deliveries, quantity, and additional references valid for the item. Delivery Date and Delivery Period shall be used mutually exclusive.

Example:

SCC+1++D'

No = Consecutive segment number
 MaxOcc = Maximum occurrence of the segment/group
 Counter = Counter of segment/group within the standard

St = Status
 EDIFACT: M=Mandatory, C=Conditional
 User specific: R=Required, O=Optional, D=Dependent,
 A=Advised, N=Not used

Segments

Counter	No	Tag	St	MaxOcc	Level	Name
	0660	SG19	R	999	4	Scheduled quantity
	0670	36 QTY	M	1	4	Quantity

Standard			Implementation	
Tag	Name	St Format	St Format	Usage / Remark
QTY				
C186	Quantity details	M	M	
6063	Quantity type code qualifier	M an..3	M an..3	113 Quantity to be delivered 84 Urgent delivery quantity Code identifying the reason of the delivery instruction.
6060	Quantity	M an..35	M n..15	Quantity scheduled by the buyer (material release issuer) to be delivered at a specified point in time or within a period.
6411	Measurement unit code	C an..8	R an..8	Code specifying the unit of measurement, use UN/ECE Recommendation 20, Common code.

Remark:

Example:

QTY+113:4500:C62'

No = Consecutive segment number
 MaxOcc = Maximum occurrence of the segment/group
 Counter = Counter of segment/group within the standard

St = Status
 EDIFACT: M=Mandatory, C=Conditional
 User specific: R=Required, O=Optional, D=Dependent,
 A=Advised, N=Not used

Segments

Counter	No	Tag	St	MaxOcc	Level	Name
0660		SG19	R	999	4	Scheduled quantity
0680	37	DTM	R	9	5	Scheduled date(s)

Standard			Implementation	
Tag	Name	St Format	St Format	Usage / Remark
DTM				
C507	Date/time/period	M	M	
2005	Date or time or period function code qualifier	M an..3	R an..3	<p>64 Delivery date/time, earliest</p> <p>The codes are used to indicate: Code 2 - delivery at destination, fixed date Code 4 - description to be provided Code 10 - shipment date/time of departure, fixed Code 63 - shipment (delivery initiated) date/time of departure, latest Code 64 - shipment (delivery initiated)date/time of departure, earliest Code 117 - delivery at destination, earliest Code 128 - delivery at destination, latest Code 158 - forecasted quantity relates to a period starting on.. Code 159 - forecasted quantity relates to a period ending on .. Code 164 - description to be provided Code 191 - delivery at destination, indicates the delivery date to the next customer in the supply chain (e.g. DELFOR is sent by tier 1 to tier 2 and code 191 indicates the delivery date from tier 1 to OEM) Code 200 - the goods will be picked up .. Code 323 - description to be provided Code 351 - description to be provided Code 545 - description to be provided</p>
2380	Date or time or period text	C an..35	R an..35	Date / period
2379	Date or time or period format code	C an..3	R an..3	102 CCYYMMDD

Remark:

Example:

DTM+64:20091104:102'

No = Consecutive segment number
 MaxOcc = Maximum occurrence of the segment/group
 Counter = Counter of segment/group within the standard

St = Status
 EDIFACT: M=Mandatory, C=Conditional
 User specific: R=Required, O=Optional, D=Dependent,
 A=Advised, N=Not used

Segments

Counter	No	Tag	St	MaxOcc	Level	Name
0660		SG19	R	999	4	Scheduled quantity
0680	38	DTM	R	9	5	Scheduled date(s)

Standard			Implementation	
Tag	Name	St Format	St Format	Usage / Remark
DTM				
C507	Date/time/period	M	M	
2005	Date or time or period function code qualifier	M an..3	R an..3	<p>63 Delivery date time, last</p> <p>The codes are used to indicate: Code 2 - delivery at destination, fixed date Code 4 - description to be provided Code 10 - shipment date/time of departure, fixed Code 63 - shipment (delivery initiated) date/time of departure, latest Code 64 - shipment (delivery initiated)date/time of departure, earliest Code 117 - delivery at destination, earliest Code 128 - delivery at destination, latest Code 158 - forecasted quantity relates to a period starting on.. Code 159 - forecasted quantity relates to a period ending on .. Code 164 - description to be provided Code 191 - delivery at destination, indicates the delivery date to the next customer in the supply chain (e.g. DELFOR is sent by tier 1 to tier 2 and code 191 indicates the delivery date from tier 1 to OEM) Code 200 - the goods will be picked up .. Code 323 - description to be provided Code 351 - description to be provided Code 545 - description to be provided</p>
2380	Date or time or period text	C an..35	R an..35	Date / period
2379	Date or time or period format code	C an..3	R an..3	102 CCYYMMDD

Remark:

Example:

DTM+63:20091104:102'

No = Consecutive segment number
 MaxOcc = Maximum occurrence of the segment/group
 Counter = Counter of segment/group within the standard

St = Status
 EDIFACT: M=Mandatory, C=Conditional
 User specific: R=Required, O=Optional, D=Dependent,
 A=Advised, N=Not used

Segments

Counter	No	Tag	St	MaxOcc	Level	Name
1110	39	UNT	M	1	0	Message trailer

Standard			Implementation	
Tag	Name	St Format	St Format	Usage / Remark
UNT				
0074	Number of segments in the message	M n..6	M n..6	Control count of number of segments in a message. Notes: 1. Control count including UNH and UNT.
0062	Message reference number	M an..14	M an..14	Unique message reference assigned by the sender. Notes: 1. Shall be identical in UNH and UNT.

Remark:

Example:

UNT+37+123456'

No = Consecutive segment number
 MaxOcc = Maximum occurrence of the segment/group
 Counter = Counter of segment/group within the standard

St = Status
 EDIFACT: M=Mandatory, C=Conditional
 User specific: R=Required, O=Optional, D=Dependent,
 A=Advised, N=Not used

Segments

Counter	No	Tag	St	MaxOcc	Level	Name
0000	40	UNZ	M	1	0	Interchange trailer

Standard			Implementation	
Tag	Name	St Format	St Format	Usage / Remark
UNZ				
0036	Interchange control count	M n..6	M n..6	The count either of the number of messages or, if used, of the number of functional groups in an interchange. One of these counts shall appear.
0020	Interchange control reference	M an..14	M an..14	Repetition of the value transmitted in UNB data element 0020.

Remark:

Example:

UNZ+1+144659'

No = Consecutive segment number
 MaxOcc = Maximum occurrence of the segment/group
 Counter = Counter of segment/group within the standard

St = Status
 EDIFACT: M=Mandatory, C=Conditional
 User specific: R=Required, O=Optional, D=Dependent,
 A=Advised, N=Not used